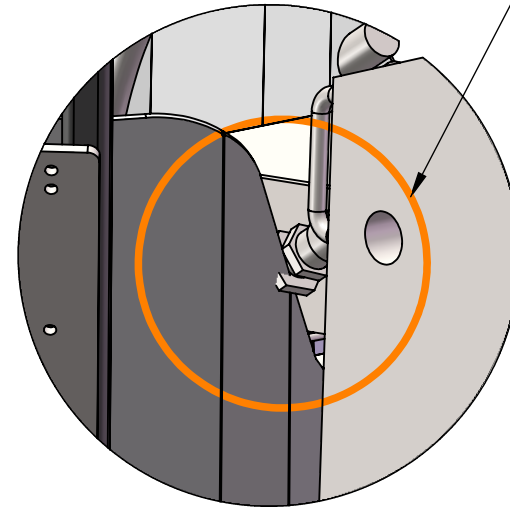


An extension adaptor D005198 is required to avoid interference with boom hoses when ST440 is tilted back. (Explained in next page)



DETAIL A
SCALE 1 : 8

Note: Some skidsteers have the skidsteer much closer to the wheel base which brings the base close to the Boom.

This can run a blade into the couplers and break them so please take the following steps.

1. Before using the spade hook it up and slowly roll it back.
2. Watch for interference on this blade. (See Detail -A)
3. If you can roll all the way back without putting excess strain on the hoses then you are good.
4. If you excessively run into the hoses before fully rolling back then see next page.

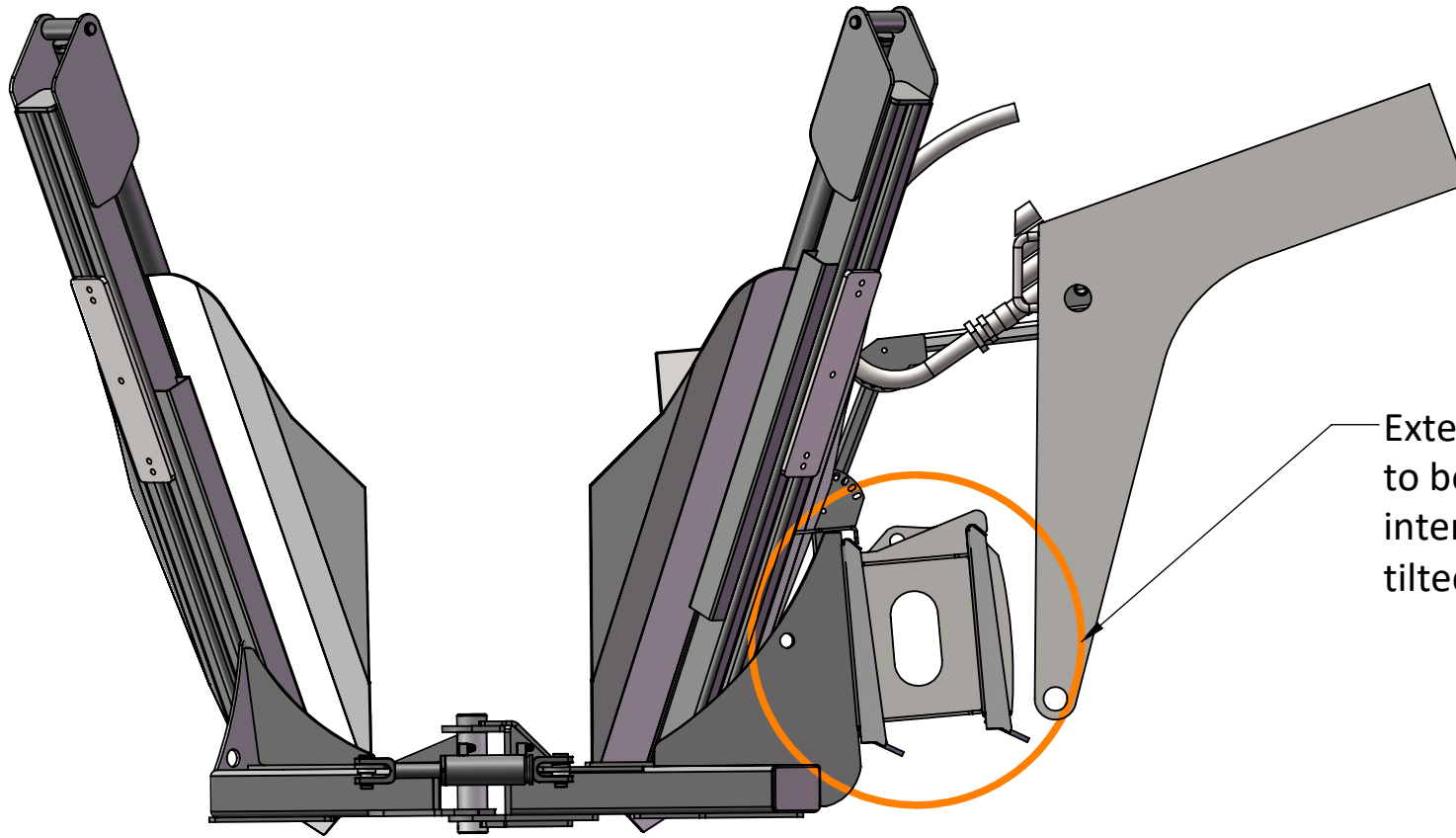
PROPRIETARY AND CONFIDENTIAL
THE INFORMATION CONTAINED IN THIS DRAWING IS THE SOLE PROPERTY OF BAUMALIGHT. ANY REPRODUCTION IN PART OR AS A WHOLE WITHOUT THE WRITTEN PERMISSION OF BAUMALIGHT IS PROHIBITED.



Description

ST440 Tree spade

| | | | | | |
|----------------------|------------------|--------------|--------------------|----------|-----|
| Weight lbs | Thickness in. | K-Factor | DATE 06-06-2007 | DWG. NO. | REV |
| DO NOT SCALE DRAWING | SCALE: 1:18 | SHEET 1 OF 2 | ST440 Spade | A | |



Extention adaptor D005198 to be used to avoid interference when ST440 tilted back.

Note: To protect your hoses we offer a D005198 off-set plate that can be ordered to push out the spade and protect your hoses. Please contact us for pricing. The reason we don't always supply this is because the spade needs to be as close to the skidsteer as possible, if it is to far out then the weight of the skidsteer loses leverage and will just lift when you attempt to lower the blades. Skidsteers with the plate closer to the frame automatically have an advantage.

PROPRIETARY AND CONFIDENTIAL
THE INFORMATION CONTAINED IN THIS DRAWING IS THE SOLE PROPERTY OF BAUMALIGHT. ANY REPRODUCTION IN PART OR AS A WHOLE WITHOUT THE WRITTEN PERMISSION OF BAUMALIGHT IS PROHIBITED.



Description

ST440 Tree spade

Weight lbs

Thickness in.

K-Factor

DATE

06-06-2007

DWG. NO.

ST440 Spade

REV
A

DO NOT SCALE DRAWING

SCALE: 1:16

SHEET 2 OF 2