



# **BAUMALIGHT™**

**TN236, TNS336, TNM336B ,TN548, TN560  
And TN760 Trenchers  
OPERATOR'S MANUAL**

Issue Date: July 2023



## Service And Instructional Videos

Find online at [baumalight.com/support](http://baumalight.com/support)

Following is a list of videos and documents available on Baumalights website and also on YouTube to help and enhance maintaining the tree spade. The list below was current at the time this manual was issued. Additional content may be available.

Activity ID Number	Activity Name	Description	Item Available
106	Remove Seal.	Remove Seal On Motor Or Load Adapter.	Video
203	Chain Sprocket Clog.	Mud Impacting Around Chain Sprocket.	Document
190	Replacing Teeth.	When To Replace Cup Teeth.	Video
172	Adjusting Trencher Chain Width.	Using Expander Brackets To Adjust Chain Width	Video
154	Chain Tension Issues.	Chain Won't Stay Tight.	Video
150	Motor Seal Replacement.	Motor Seal Instructions.	Document
201	Mini Plate Check.		
178	First Things To Check.	Wacker Neuson Mini Skid Steer Plate.	Video

# TABLE OF CONTENTS

<b>1 INTRODUCTION</b> .....	<b>4</b>
1.1 Overview .....	4
1.2 Intended Use And Foreseeable Misuse .....	4
<b>2 SAFETY</b> .....	<b>5</b>
2.1 Safety Alert Symbol And Safety Words .....	5
2.2 Operational Hazards .....	6
Detach Trencher Safely .....	7
Prepare for Emergencies .....	7
Replace Safety Signs .....	7
Do Not Allow Riders .....	7
Lower Operating Speed .....	7
Avoid Rollover .....	7
Avoid Powerlines & Underground Utilities .....	7
Hazards From Modifying Equipment .....	8
2.3 Maintenance Hazards .....	9
<b>3. SAFETY SIGNS</b> .....	<b>10</b>
<b>4. INITIAL SETUP</b> .....	<b>13</b>
4.1 Remove Trencher From Pallet .....	13
4.2 Hydraulics .....	13
<b>5. OPERATION</b> .....	<b>14</b>
5.1 Preparation For Use .....	14
5.2 Pre-Operation Check List .....	14
5.3 Machine Components .....	15
5.4 Attach Trencher To Power Unit .....	16
5.5 Detach Trencher From Power Unit .....	16
5.6 Transporting .....	17
5.7 First Time User Tips .....	17
5.8 Field Operation .....	17
<b>6. SERVICE AND MAINTENANCE</b> .....	<b>19</b>
6.1 Maintenance .....	19
6.2 Inspections .....	20
6.3 Replace Cutting Teeth .....	20
6.4 Lubricate Idler Bearing .....	21
6.5 Check Chain Tension .....	21
6.6 Relieve Chain Tension .....	22
6.7 Chain Tension Components .....	22
6.8 Auger Drive Planetary .....	23
<b>7 TROUBLESHOOTING</b> .....	<b>24</b>
<b>8 STORAGE</b> .....	<b>25</b>
8.1 Storing Trencher .....	25
8.2 Removing From Storage .....	25
<b>9 WARRANTY</b> .....	<b>26</b>

# 1 INTRODUCTION

## 1.1 Overview

Congratulations on your choice of a Baumalight Trencher to complement your trenching operation. This equipment has been designed and manufactured to meet the needs of a discriminating buyer for efficient trenching.

The trencher is hydraulic powered by the hydraulic system on your power unit.

Replaceable bearings are provided at major pivot points for extended service life.

Safe, efficient and trouble free operation of your trencher requires that you and anyone else who will be operating or maintaining the trencher, read and understand the Safety, Operation, Maintenance and Troubleshooting information contained within the Operator's Manual.

This manual covers Baumalight Trenchers. Use the Table of Contents as a guide to locate required information.

Keep this manual for frequent reference and to pass on to new operators or owners. Call your Baumalight dealer, distributor or the factory if you need assistance, information or additional copies of the manuals.

When this machine is worn out and no longer in use, it should be returned to the retailer or other party for recycling.

**OPERATOR ORIENTATION** - The directions left, right, front and rear, as mentioned throughout this manual, are as seen from the driver's seat and facing in the direction of travel.

## 1.2 Intended Use And Foreseeable Misuse

The trencher is designed to be used by experienced operators, trained in the safe operation of the power unit and trained in the hazards related to using the trencher and the safe use of the trencher for the intended purpose.

Operators will require personal protective equipment to reduce the risk from some hazards that cannot be completely eliminated or controlled by the design of the tool.

Care is required to ensure that the trencher will not come across metallic objects, stones or other materials.

Trenchers are not designed for use in hazardous atmospheres where there is a risk of fire or explosion due to flammable gases or vapors. Use in hazardous, explosive atmospheres is prohibited.

Serious injury or death of the operator or bystanders may be caused if the tool is misused. Misuse may also cause damage to the machine carrying the implement.

# 2 SAFETY

## 2.1 Safety Alert Symbol And Safety Words


You must read, understand and follow the instructions given by the operating unit manufacturers, as well as the instructions in this manual.


The safety information in this manual is denoted by the safety alert symbol:



This symbol means ATTENTION! BECOME ALERT! YOUR SAFETY IS INVOLVED!

The level of risk is indicated by the following signal words:

 <b>DANGER</b>
<b>DANGER</b> - Indicates a hazardous situation, which, if not avoided, <b>WILL</b> result in death or serious injury.

 <b>WARNING</b>
<b>WARNING</b> - Indicates a hazardous situation, which, if not avoided, could result in death or serious injury.

 <b>CAUTION</b>
<b>CAUTION</b> - Indicates a hazardous situation, which, if not avoided, could result in minor or moderate injury.

<b>NOTICE</b>
<b>NOTICE</b> - Indicates a situation that could result in damage to the equipment or other property.

## 2.2 Operational Hazards

### WARNING

**Prevent serious injury or death.**

**Read and understand this manual before operating trencher.**

**Always stop engine and remove key before leaving operators seat.**

**Never allow anyone near the trencher during operation.**

**Travel at a safe speed.**

### WARNING

**Prevent serious injury or death from moving parts.**

**Moving parts can crush and dismember.**

**Do not operate without guards and shields in place.**

**Disconnect and lock out power source before adjusting or servicing.**

### WARNING

**Use trencher only for the designed applications.**

**Any other use may result in personal injury, damage to equipment and may void the warranty.**

### WARNING

**Prevent serious injury or death.**

**Verify trencher is attached to power unit before operation or transport.**

### WARNING

**Protect from flying debris.**

**Wear proper safety glasses, goggles, or a face shield to protect from flying debris.**

### WARNING

**Prevent serious injury or death.**

**It is recommended that the operating unit be equipped with a forestry guard to protect the operator.**

Carefully read all safety messages in this manual and on equipment safety signs. Keep safety signs in good condition and replace missing or damaged safety signs.

New equipment components and repair parts must include the current safety decal.

Learn how to properly operate equipment. NEVER operate or work around this equipment without proper instruction, while fatigued or under the influence of alcohol, prescription or non-prescription medication or if feeling ill.

Keep your equipment in proper working condition. Know the regulations and laws that apply to you and your industry. This manual is not to replace any regulations or laws. Additional information may be found at: [www.asae.org](http://www.asae.org) or [www.osha.gov](http://www.osha.gov). If you do not understand any part of this manual, contact Baumalight at 866-820-5603.

## Detach Trencher Safely

Detach trencher on a firm and level surface. Be sure people, livestock and pets are clear of machinery.

Relieve hydraulic pressure before disconnecting hydraulic hoses. See your power unit Operator's Manual.

## Prepare for Emergencies

- Be prepared in case of emergencies.
- Keep a fire extinguisher and first aid kit close to the machine.
- Know emergency phone numbers for your area.
- Know your address so emergency services can locate you if an emergency arises.

## Replace Safety Signs

- Replace missing or damaged safety signs.
- Safety signs are identified in Section 3 of this manual.
- Replacement safety signs are available from your Baumlight dealer.

## Do Not Allow Riders

- NEVER lift or carry anyone with trencher.
- NEVER use trencher as a work platform.
- NEVER allow passengers on trencher.

## Lower Operating Speed

- Keep load low and move at slow speeds on rough or uneven terrain.

## Avoid Rollover

The equipment may rollover, resulting in death or serious injury. To help prevent rollover:

- Travel at a slow speed.
- Avoid sharp turns & sudden movement on slopes.
- Carry load close to the ground.
- Avoid holes, ditches and other obstructions which may cause equipment to rollover.
- Balance load so weight is evenly distributed and load is stable.
- Use caution when operating on slopes and do not operate on excessively steep slopes.
- Do not exceed load capacity of equipment.

## Avoid Powerlines & Underground Utilities

Have underground utilities located before beginning work. In the US or Canada, call 811 (US) or 888-258-0808 (US and Canada). Also contact any local utilities that do not participate in the One-Call service. In countries that do not have a One-Call service, contact all local utility companies to have underground utilities located.

### **DANGER**

**Prevent electrocution.**

**Death or serious injury can result if equipment comes near or contacts power lines.**

**Electrocution can occur without direct contact.**

Check clearance before raising equipment.

Have local utilities locate and mark under ground wires, cables, pipelines and other hazards before operation.

DO NOT leave the operator's seat if any part of the equipment contacts electric lines or cables.

### Raised Attachment

 **WARNING**

**Crushing hazard.**

**Raised, unsupported trencher can fall, resulting in death or serious injury.**

**Never enter the area under a raised trencher.**

A raised trencher can lower unexpectedly, resulting in death or serious injury.

NEVER enter area under a raised trencher.

Lower trencher to ground, engage parking brake, shut off engine and remove key before servicing.

### Avoid Loud Noise

 **WARNING**

**Prolonged exposure to loud noise can cause impairment or loss of hearing.**

**Wear a suitable hearing protective device to protect against objectionable or uncomfortable loud noises.**

### Hazards From Modifying Equipment

Do not make any alterations to your trencher. Altering the equipment may cause unsafe conditions and may void the manufacturer's warranty.

### Avoid High Pressure Fluids

 **WARNING**

**Pressurized fluids can penetrate the skin.**

**Hydraulic hoses can fail from age, damage and exposure.**

**Use body and face protection while searching for leaks. A tiny, almost invisible leak can penetrate the skin, thereby requiring immediate medical attention.**

**Use wood or cardboard to detect hydraulic leaks, never use your hands.**

Escaping fluid under pressure can penetrate the skin causing serious injury.

Prevent the hazard by relieving pressure (See power unit Operator's Manual) before connecting or disconnecting hydraulic lines. Verify all connections are tight before applying pressure.

Search for leaks with a piece of cardboard or wood.

Protect hands and body from high pressure fluids. If an accident occurs, see a doctor immediately. Any fluid injected into the skin must be surgically removed within a few hours or serious infection may result.



## 2.3 Maintenance Hazards

Before servicing, park machine on a firm and level surface, set parking brake, chock wheels, and place a “Do Not Operate” tag on control panel. Read and understand this manual. If you do not understand any part of the manual, contact Baumalight at 866-820-5603.

Always wear face and/or eye protection, safety shoes, and other protective equipment appropriate for the job.

Do not make unauthorized modifications. Contact Baumalight at 866-820-5603 before you weld, cut/ drill holes, or make any other modifications.

Always use Baumalight replacement parts.

### **WARNING**

**Moving parts can crush and cut.**

**Keep clear of moving components.**

**Follow lockout procedure before servicing.**

### **WARNING**

**Crushing hazard.**

**Before performing inspections, service or maintenance:**

**Park machine on firm, level surface.**

**Engage parking brake.**

**Turn engine off and remove key.**

**Place “Do Not Operate” tag on control panel.**

### **WARNING**

**Entanglement hazard.**

**Keep clear of moving components.**

**Wear proper protective equipment appropriate for the job.**

### **WARNING**

**Burn hazard.**

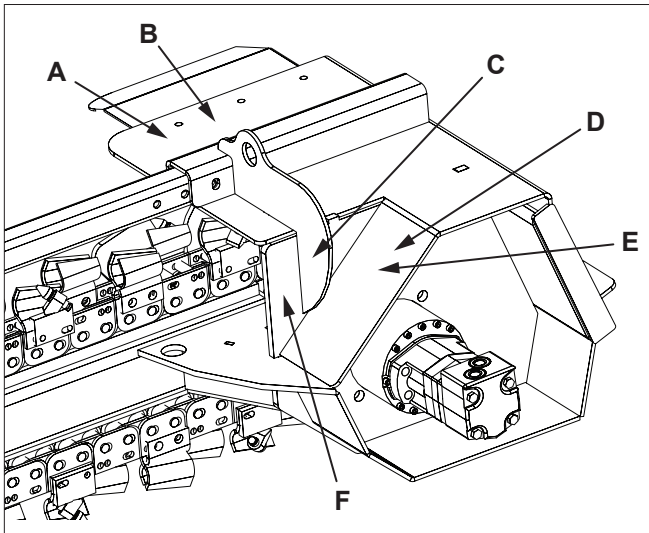
**Hot and high pressure hydraulic oil.**

**Allow oil to cool before servicing.**

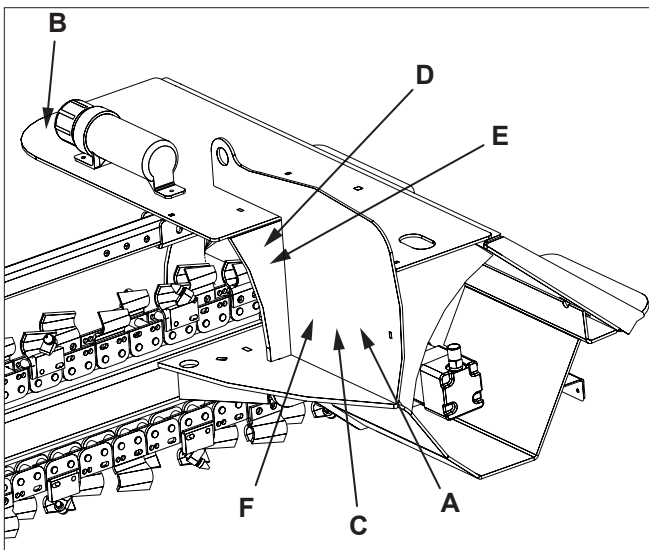
### 3. SAFETY SIGNS

The two and four panel safety decals are pictorial and have a yellow background. The panel with a triangle indicates the potential hazard. The panel without a triangle indicates how to avoid the hazard.

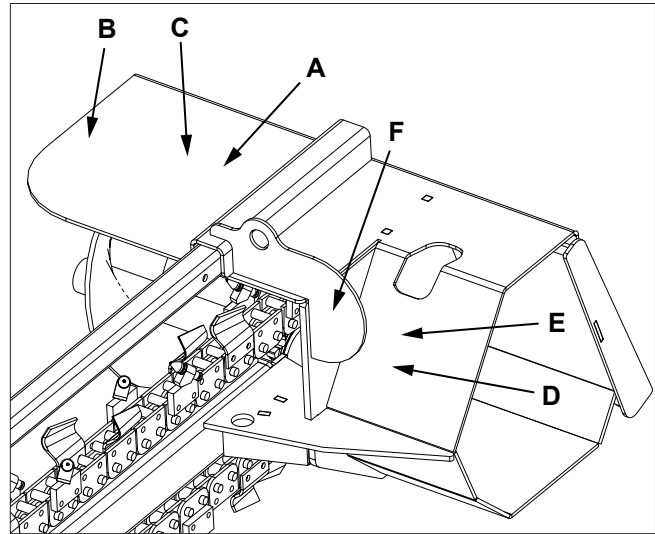
If any of the decals are missing, are damaged, or if you do not understand the decal, please contact your dealer.



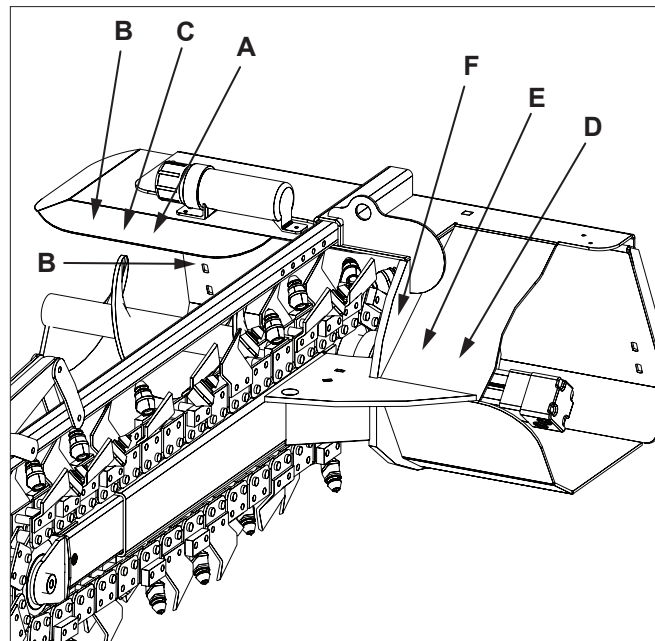
TN236



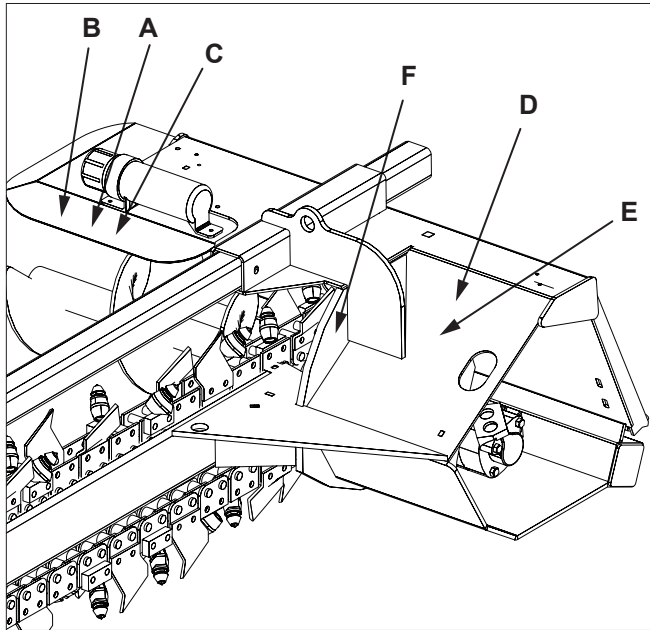
TNS336



TNM336B

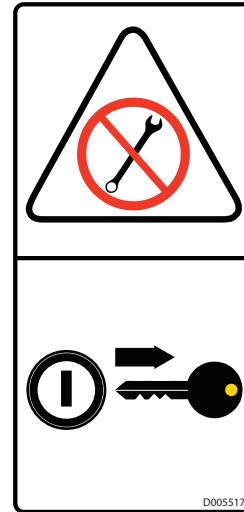


TN548

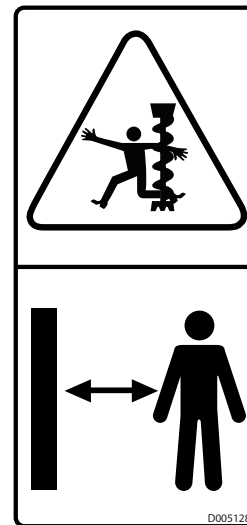



TN760

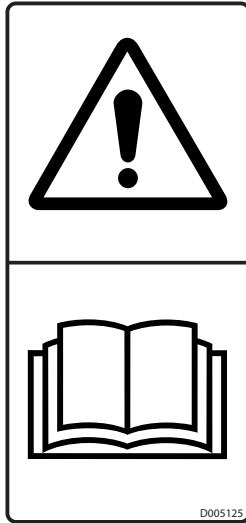
A. D005517 ⚠ WARNING - Remove key before servicing.




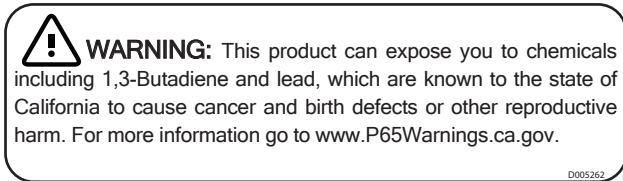
B. D005128 ⚠ WARNING - Rotating auger hazard. Keep back a safe distance while operating.




C. D005125  WARNING - Read and understand safety signs on the machine and operating instructions in this manual before operating machine.




D. D005262  WARNING - P65 warning information.

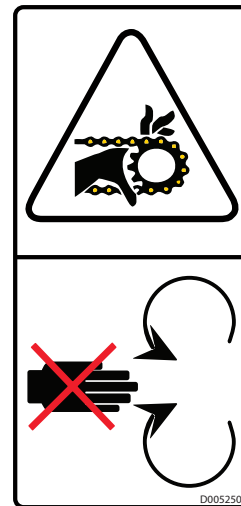


E. D005126  WARNING - Pressurized fluid hazard. Pressurized fluids can penetrate the skin. Do not check for leaks with your hands. Keep back a safe distance when pressurized.



F. D005130  
D005250

 WARNING - Rotating chain hazard. Keep back a safe distance while operating.



## 4. INITIAL SETUP

### 4.1 Remove Trencher From Pallet

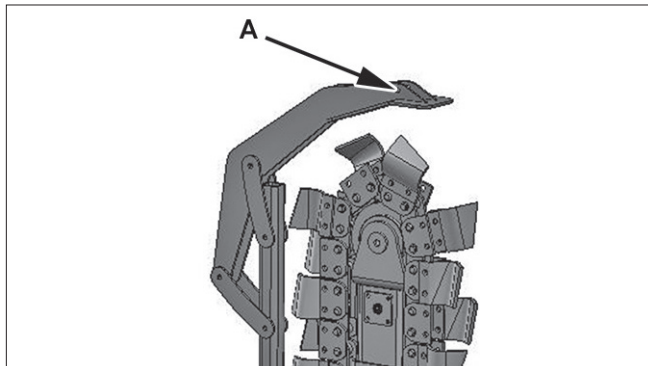
#### WARNING

The trencher weighs approximately 1175 lbs.

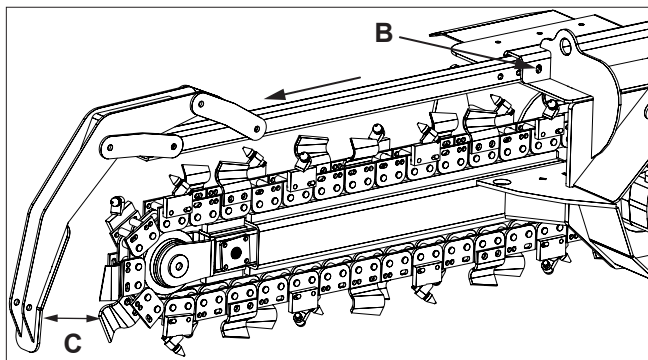
Trencher is top heavy when attached to pallet. Move with caution.

Do not position feet under pallet or trencher.

1. Attach an adequate lifting device to hole (A) in scraper bar frame. Take up slack so lifting device is tight.
2. Remove all shipping bands. Raise trencher slightly and remove pallet from work area.
3. Lower trencher until chain touches the ground.
4. Remove lifting device.



5. Remove pin at location (B) and move scraper outward so there is 1-2 in. (25-51 mm) of clearance (C) between chain and scraper.



### 4.2 Hydraulics

#### WARNING

Pressurized fluids can penetrate the skin.

Disconnect and lock out power source before disconnecting and/or connecting hydraulic hoses.

The trencher is equipped with hoses that are connected to the hydraulic motor. You must connect your power unit hoses to these hoses.

Power unit hoses must be the same size as the trencher hoses. Using smaller diameter hoses will decrease hydraulic flow.

# 5. OPERATION

## 5.1 Preparation For Use

Although the trencher has been carefully inspected and checked prior to shipment from manufacturer, it is recommended that the unit be thoroughly inspected.

Check all bolts for tightness and remove all shipping tags, bags, skids, and blocking.

Review and understand this manual and operating unit manual.

Remove any masking materials affixed during painting. Inspect the trencher and any accessory equipment to verify that nameplates and all safety warning, caution signs and decals provided with the equipment are in place and clearly visible.

Visually inspect the unit before each start up. Check for loose or missing parts and any damage that may have occurred during moving or shipping.

Review all power unit pre-start instructions, and be sure that all recommended steps and procedures have been followed.

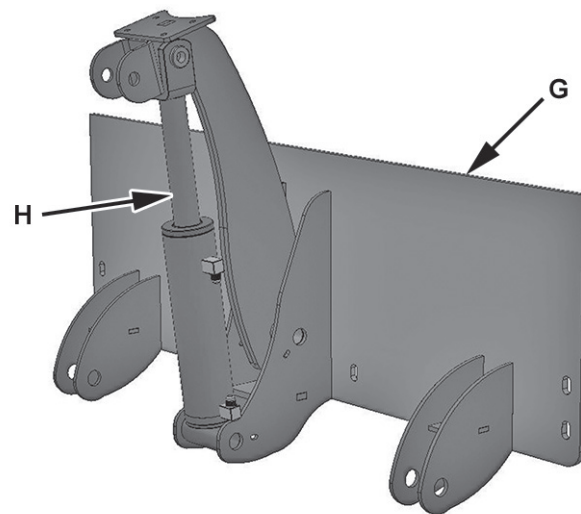
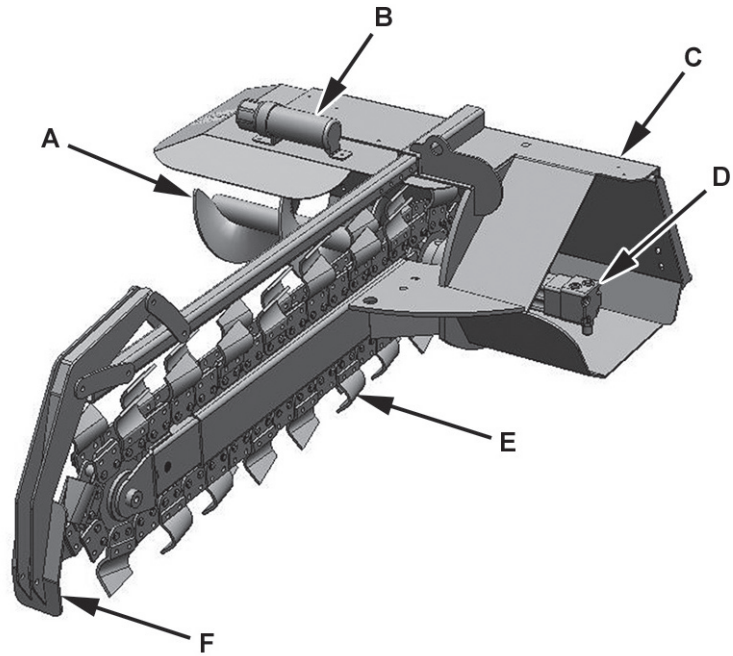
NOTE: Always keep the weight of the machine in mind. Never position body in line of impact.

## 5.2 Pre-Operation Check List

✓	Check these items:	Frequency
	Verify that trencher is properly attached to power unit.	Each operation.
	Verify that hydraulic hoses are connected to power unit hydraulic couplers.	Each operation.
	Check for entangled material on chain.	Each operation.
	Verify all guards, doors and covers are installed and secured.	Each operation.
	Verify cutting teeth on the chain are tight.	Every 4 hours.

### 5.3 Machine Components

- A. Side Auger
- B. Operators Manual Storage Tube
- C. Quick Attach
- D. Hydraulic Motor
- E. Cutting Tooth
- F. Scraper Bar
- G. Optional 3-Point Adapter
- H. Angle/Depth Control Cylinder



## 5.4 Attach Trencher To Power Unit



### WARNING

To prevent injury or machine damage put transmission in “Park”.

Never position yourself between power unit and trencher.

Only experienced and properly trained operator’s should operate the power unit and trencher.

1. Read and follow all safety instructions.
2. Attach trencher to power unit. See power unit Operator’s Manual.
3. Verify pins are secure in the correct position.
4. Connect hydraulic hoses. Verify hydraulic hoses are clear of pinch areas and moving parts.
5. Move to a clear open area to test functions.

## 5.5 Detach Trencher From Power Unit



### WARNING

Prevent serious injury or death caused by unexpected movement:

- Park on a level surface.
- Engage park brake.
- Disconnect hydraulic drive.
- Shut off engine and remove key.

1. Park power unit on a level surface.
2. Lower trencher to the ground.
3. Shut off engine and remove key.
4. Disconnect hydraulic hoses.
5. Detach trencher from power unit. See power unit Operator’s Manual.



## 5.6 Transporting

1. Verify all reflectors and Slow Moving Vehicle (SMV) sign are visible.
2. Raise trencher slightly off ground.
3. Verify hydraulics are disengaged.
4. Travel at a reasonable and safe speed.

### **WARNING**

**To prevent bodily injury from rotating cutting wheel, be sure to disengage hydraulics before transporting trencher.**

## 5.7 First Time User Tips

### **DANGER**

**Prevent electrocution.**

**Death or serious injury can result if equipment comes near or contacts power lines.**

**Electrocution can occur without direct contact.**

- First, operate all functions in a clear area with power unit at idle speed to get a good feel for the controls before you actually dig a trench.
- Run throttle only at half speed for first time users.
- Lower trencher slowly until you have a better feel how much the unit can take.
- If the chain stops turning, move power unit back a few inches until chain starts to turn again. Avoid raising out of trench if you don't have to, because you will have to measure your trench again to ensure you are digging the same depth along the trench.

### **WARNING**

**Always turn off the power unit and disengage hydraulic drive before getting off the seat and approaching the chain.**

## 5.8 Field Operation

Have local utilities locate and mark underground wires, cables, pipelines and other hazards before operation.

### **DANGER**

**Prevent electrocution and/or explosion.**

**Death or serious injury can result if equipment comes near or contacts power lines.**

**Electrocution can occur without direct contact.**

**Contacting a gas line may result in an explosion.**

Have underground utilities located before beginning work. In the US or Canada, call 811 (US) or 888-258-0808 (US and Canada). Also contact any local utilities that do not participate in the One-Call service. In countries that do not have a One-Call service, contact all local utility companies to have underground utilities located.

### **WARNING**

**Never operate trencher when other people are in the vicinity.**

**Do not allow riders.**

**⚠ WARNING**

**Prevent serious injury or death caused by unexpected movement:**

- Park on a level surface.
- Engage parking brake.
- Disengage hydraulic drive.
- Shut off engine and remove key.

**⚠ WARNING**

**Always turn off the power unit and disengage hydraulic drive before getting off the seat and approaching the chain.**

**⚠ WARNING**

**Moving parts can crush and cut.  
Keep clear of moving components.  
Lockout operating unit before clearing jams.**

**⚠ WARNING**

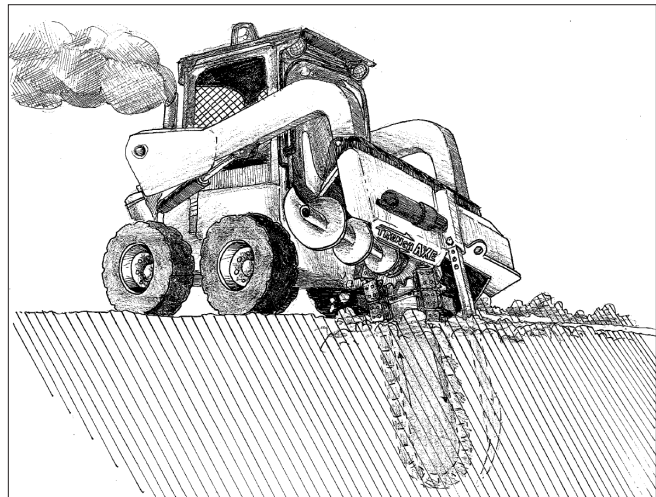
**Prevent serious injury or death.  
It is recommended that the operating unit be equipped with a forestry guard to protect the operator.**

1. Attach trencher to power unit. See Attach Trencher To Power Unit in this section.
2. Place unit so that the chain is a couple of inches above the ground, and so chain is slightly tilted up.
3. Start hydraulic oil flow to start chain rotation.

After chain is rotating slowly, lower trencher into the ground.

4. Slowly increase engine speed to high idle.
5. Start tilting chain down at a steady slow pace until at desired depth. Verify trencher is operating smoothly and start travel.
6. If the chain stops turning, move power unit back a few inches until chain starts to turn again. Avoid raising out of trench if you don't have to, because you will have to measure your trench again to ensure you are digging the same depth along the trench.

In certain digging conditions and soil types, the soil may become impacted and clogged around the chain sprocket. If this happens, disengage hydraulic drive and shut down power unit. Clean out the impacted soil and resume digging at a sharper angle. By keeping the auger above the surface and increasing the digging angle to near-vertical, the sprocket will be kept away from the build-up of soil.



7. It is recommended that you measure the trench several times at the beginning of the digging process to ensure that the desired depth is dug.
8. When raising out of the trench, always keep the chain rotating until completely raised above ground, if chain is not rotating it could catch a stone or a solid object as you are raising the out of the ground.

## 6. SERVICE AND MAINTENANCE

### 6.1 Maintenance

Maintenance Chart		
General Inspection	Inspect the unit for any buildup of contamination (dirt, stones, etc.).	Daily
Cutting Teeth	Check and replace one at a time as necessary. See Replace Cutting Teeth in this section.	Daily.
Idler Bearing	Grease idler bearing with two pumps of a standard grease gun. Do not over grease bearing. Grease escaping around seal will collect dirt and cause premature bearing failure.	Every 6 Hours.
Chain Tension	Check chain tension. Chain should have a slight amount of drop in the center. See Check Chain Tension.	Daily.

## 6.2 Inspections



### WARNING

Prevent serious injury or death caused by unexpected movement:

- Park on a level surface.
- Engage parking brake.
- Disengage hydraulic drive.
- Shut off engine and remove key.

Inspect the unit for any buildup of contamination (dirt, stones, etc.).

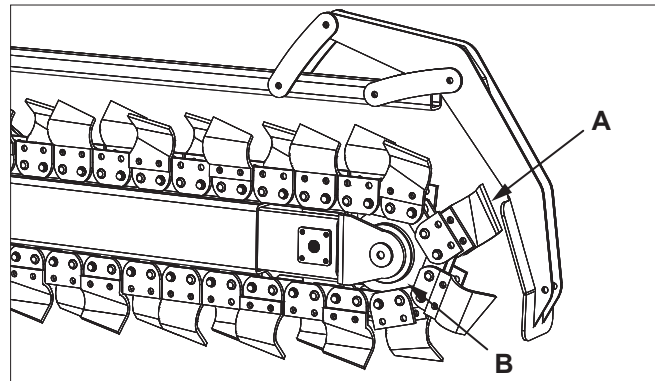
Check cutting teeth daily. Keep cutting teeth in good condition. Unit will cut faster and remaining teeth will last longer if broken teeth are replaced.

## 6.3 Replace Cutting Teeth

1. Park trencher on a level surface.
2. Lower trencher to the ground.
3. Shut off engine and remove key.
4. Inspect cutting teeth (A) for damage and wear. Replace individual teeth as needed.

**Note - For 8 and 10 inch chains only:** For ease of access to mounting hardware, position chain so tooth is over idler (B).

5. Remove bolts, locknuts and tooth (A). Install new tooth.
6. Install and tighten bolts and locknuts.



**Note:** Parts breakdown can be found on Baumalight's website. [www.baumalight.com](http://www.baumalight.com)

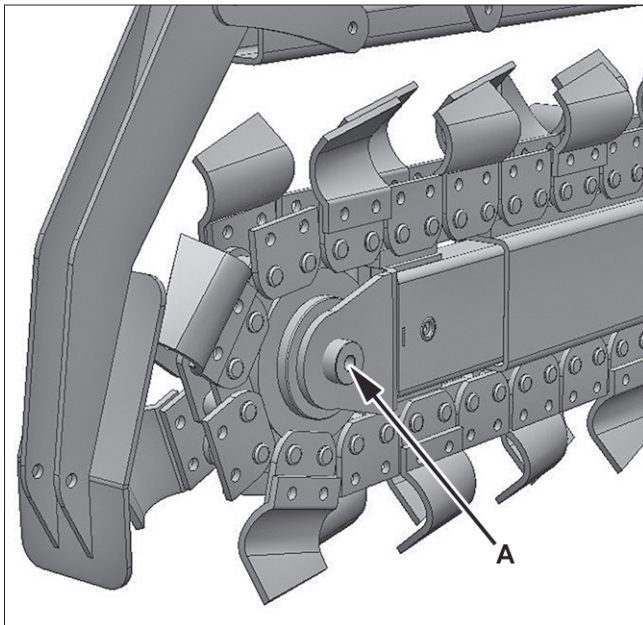
## 6.4 Lubricate Idler Bearing

1. Park trencher on a level surface.
2. Lower trencher to the ground.
3. Shut off engine and remove key.

### NOTICE

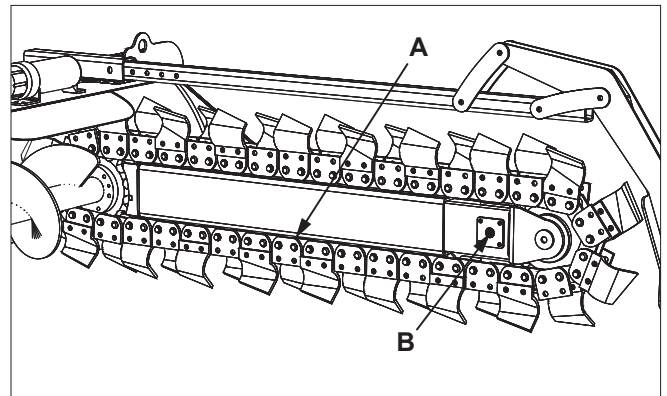
**Do not over grease idler. Grease escaping around seal will collect dirt and cause premature bearing failure.**

4. Pump two pumps of grease into fitting (A) on idler. Do not over grease.



## 6.5 Check Chain Tension

1. Park trencher on a level surface.
2. Position so trencher is horizontal, slightly above the ground.
3. Shut off engine and remove key.
4. Clean dirt buildup from chain and sprocket area.
5. Check chain tension. A properly tensioned chain should have the following drop in the center (A).
  - 36 in. (914 mm) chain: 1-1.5 in. (25-38 mm) drop.
  - 48 in. (1219 mm) chain: 1.5-2 in. (38-51 mm) drop.
  - 60 in. (1524 mm) chain: 2-2.5 in. (51-64 mm) drop.
6. Pump grease into fitting (B) to tension chain.



## 6.6 Relieve Chain Tension

1. Park trencher on a level surface.
2. Lower so trencher is slightly above the ground.
3. Shut off engine and remove key.

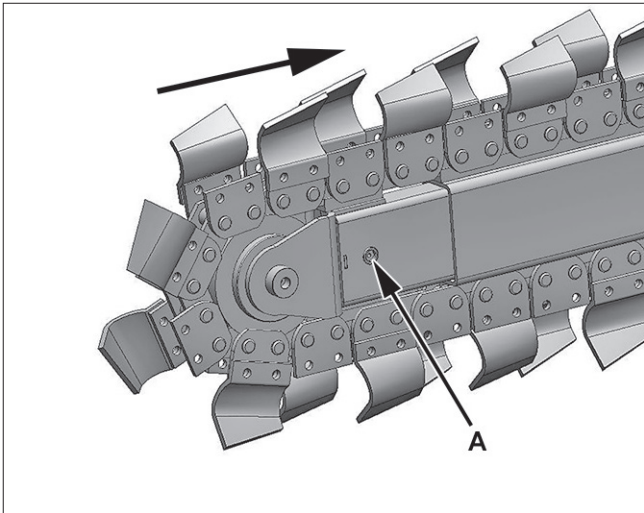
### CAUTION

**Prevent injury.**

**Grease in tension cylinder may be under pressure.**

**Slowly loosen fitting when relieving chain tension.**

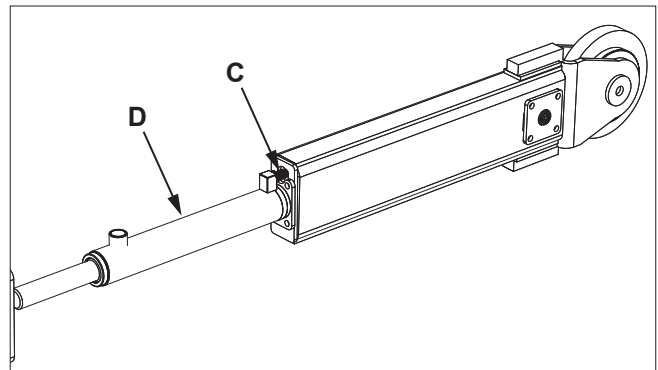
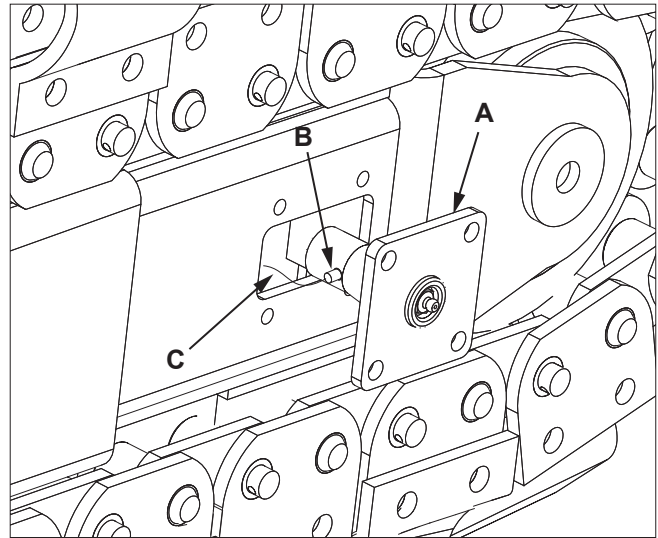
4. Loosen fitting (A) on opposite side of 4-bolt plate.
5. Push inward on end of trencher to fully retract tensioning cylinder.
6. Install fitting (A) and refer to section 6.5 to adjust chain tension.



## 6.7 Chain Tension Components

If chain does not stay tight, grease line or tension cylinder may be leaking. Relieve chain tension. Remove bolts and pull grease fitting plate (A) outward. Inspect fitting (B) and line (C) for leakage. If fitting (B) and line (C) are good, remove chain and pull inner tube out. Inspect tension cylinder (D) and hose connection at cylinder for leakage. Replace items as needed. Reassemble trencher.

Refer to section 6.5 to adjust chain tension.



## **6.8 Auger Drive Planetary**

The planetary drive does not require periodic maintenance. If adding oil is necessary, use a 75W-90 gear oil in planetary.

# 7 TROUBLESHOOTING

PROBLEM	CHECK	SOLUTION
Chain does not rotate.	Chain jammed.	Remove material from chain.
	Chain off track.	Place chain back on track.
	Low oil level.	Check oil level in power unit. Add if necessary.
	Low oil flow.	Check flow control on power unit. See your dealer.
Chain rotates slow or sluggish.	Low oil.	Check oil level in power unit. Add if necessary.
	Oil filter plugged.	Replace oil filter.
	Relief valve not set properly.	Set relief pressure to motor specification.
	Low oil flow.	Check flow control on power unit. See your dealer.
	Chain too loose.	Tighten chain.
Excessive vibration.	Cutting teeth worn or missing.	Replace worn, broken or missing teeth.
	Debris lodged in chain.	Remove debris.
Chain does not stay tight.	Grease fitting, grease line or tension cylinder may be leaking.	Check grease fitting, line and cylinder for leakage or damage. Replace items as needed.



# 8 STORAGE

## 8.1 Storing Trencher

1. Store trencher in a dry place.
2. Clean trencher thoroughly. Dirt will draw moisture and cause rust.
3. Check condition of cutting teeth. Replace as necessary. (See Service and Maintenance section.)
4. Check for loose or missing hardware.
5. Paint parts as necessary.

## 8.2 Removing From Storage

1. Review Operator's manual and check adjustments.
2. If parts have been replaced, verify they run properly.

# 9 WARRANTY

The product is warranted to be free of defects in materials and workmanship under normal use and service, for a period of one year from the date of purchase. This warranty covers parts and labor, but does not cover misuse, negligence or dealer travel time.

Replacement of individual parts vs. assemblies are at the discretion of the manufacturer.

Baumalight products purchased new must be registered for warranty at <https://baumalight.com/support/product-registration>.

Warranty claims must include the bill of sale to the original purchaser.

This product must be operated and maintained in accordance with the Operating and Maintenance Instructions supplied with this unit.

Under no circumstances will the manufacturer be liable for any consequential damage or expense of any kind, including loss of profits. The manufacturer is under no circumstances liable for carrier unit damage of any kind. The manufacturer is not liable for the maintenance of the product. Baumalight will not cover time to diagnose and repair compatibility issues between carrier and attachment.

When receiving a shipment from the manufacturer:

1. Compare items received with the carriers bill of lading.
2. Check for damage before signing for the shipment. If damage is found, note damage on carriers bill of lading and photograph the damage.

This warranty is extended only to the original purchaser and there never is any warranty on anything sold through auction.

Units are to be returned at the customer's expense to the nearest Authorized Service Center. Damage in transit is not covered by warranty.

The work may be performed by the end user, if they are a qualified mechanic.

The Manufacturer's Liability is limited to repair of the product and/or replacement of parts and is given to the purchaser in lieu of all other remedies including incidental and consequential charges. There are no warranties, expressed or implied other than those specified herein. For the nearest Authorized Service Center call the manufacturer.

The allowable time for dealers to perform some repairs can be found on our website in the support section under Service And Instruction Videos & Support.

Model Number: \_\_\_\_\_ S/N: \_\_\_\_\_

Date of Purchase: \_\_\_\_\_ Owner's Name \_\_\_\_\_



MTB MFG INC.  
CORPORATE HEADQUARTERS  
4575 Powell Rd.,  
Wallenstein, Ontario Canada  
N0B 2S0  
Phone - 519.698.9864  
Toll Free - 866.820.5603  
Fax - 519.698.1087  
[www.baumalight.com](http://www.baumalight.com)

