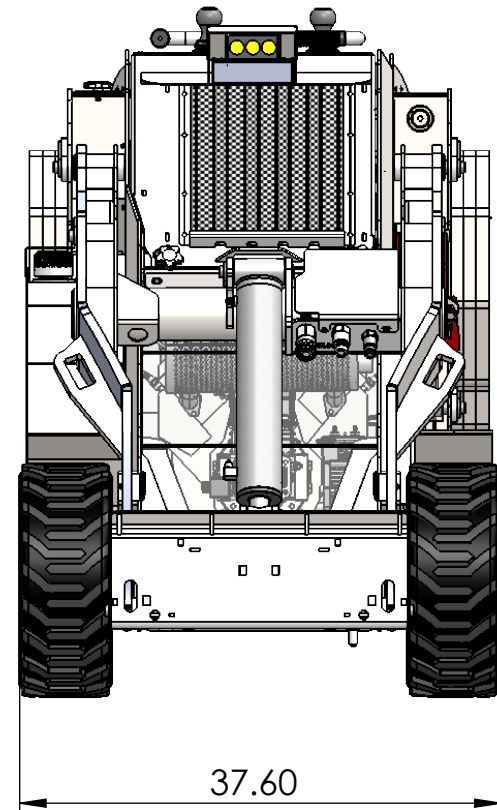
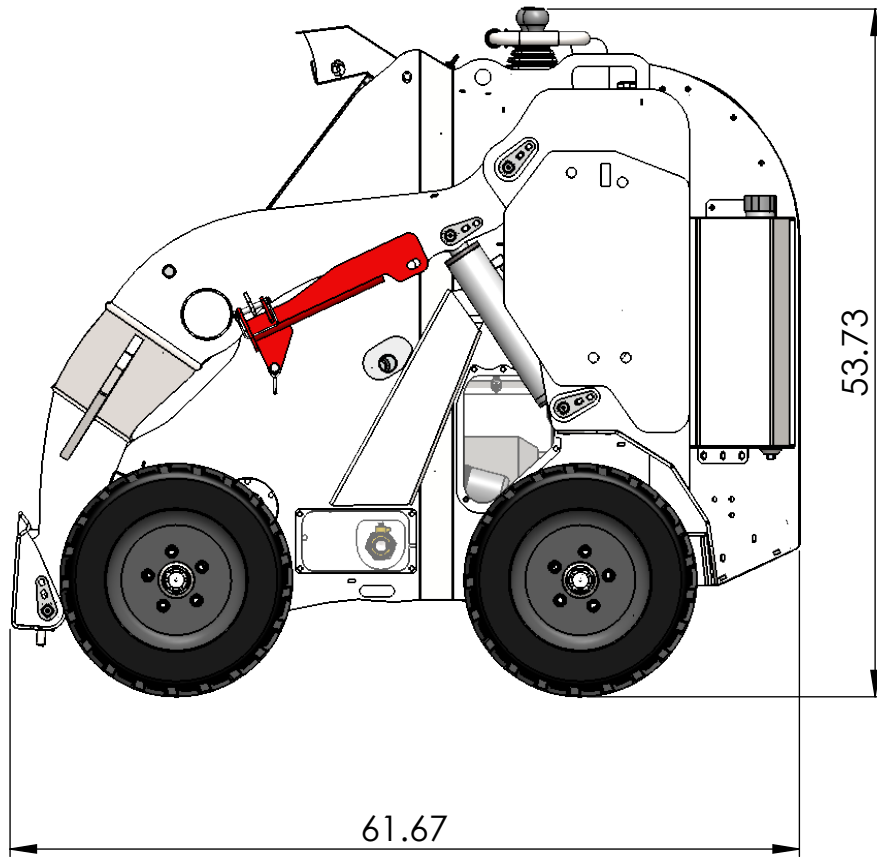


WRL58G



PROPRIETARY AND CONFIDENTIAL
 THE INFORMATION CONTAINED IN THIS DRAWING IS THE SOLE PROPERTY OF BAUMALIGHT. ANY REPRODUCTION IN PART OR AS A WHOLE WITHOUT THE WRITTEN PERMISSION OF BAUMALIGHT IS PROHIBITED.



Description

Tracked Radial lift

Weight lbs	Thickness in.	K-Factor	DATE 12-03-2024	DWG. NO. WRL58G-A5	REV A
DO NOT SCALE DRAWING		SCALE: 1:15	SHEET 1 OF 1		

5

4

3

2

1