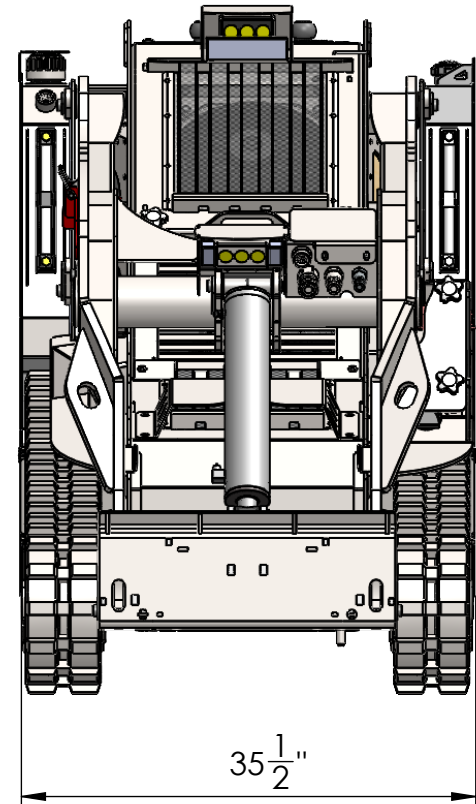
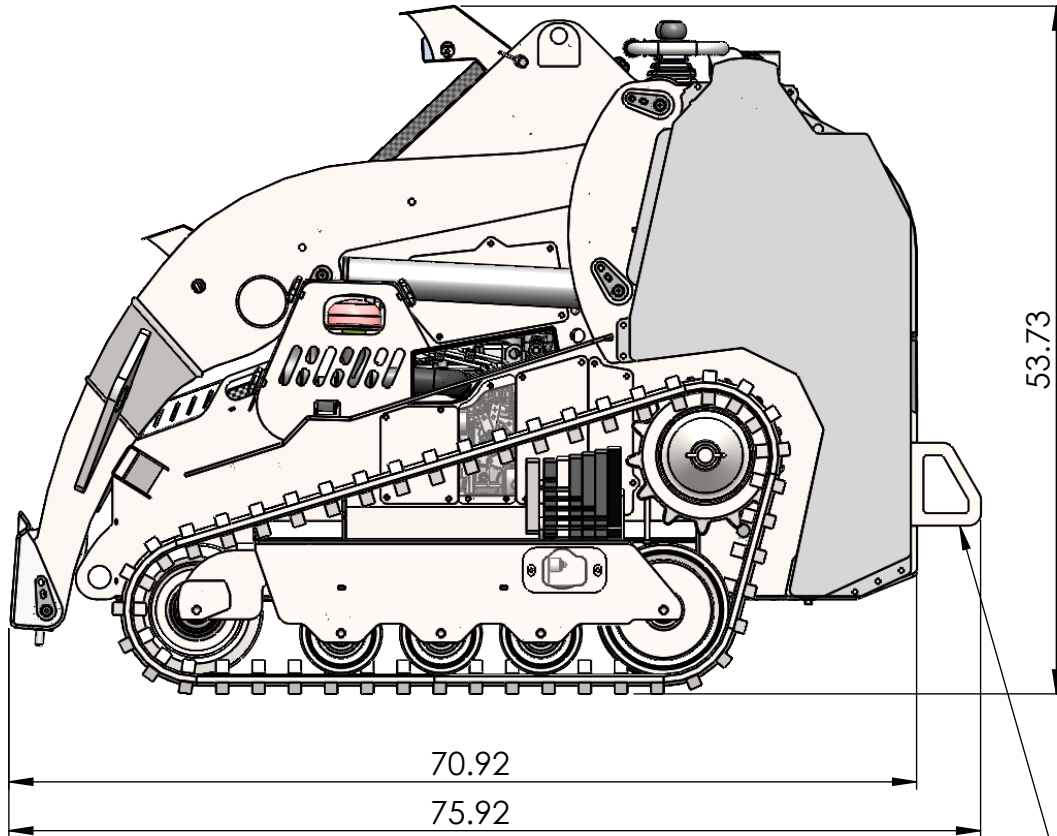


# TRL536D



Bolt-on Lug plate

**PROPRIETARY AND CONFIDENTIAL**  
 THE INFORMATION CONTAINED IN THIS DRAWING IS THE SOLE PROPERTY OF BAUMALIGHT. ANY REPRODUCTION IN PART OR AS A WHOLE WITHOUT THE WRITTEN PERMISSION OF BAUMALIGHT IS PROHIBITED.



Description

Tracked Radial Lift

Weight lbs	Thickness in.	K-Factor	DATE 31-05-2023	DWG. NO.	REV A
DO NOT SCALE DRAWING	SCALE: 1:15	SHEET 1 OF 1	TRL536D		