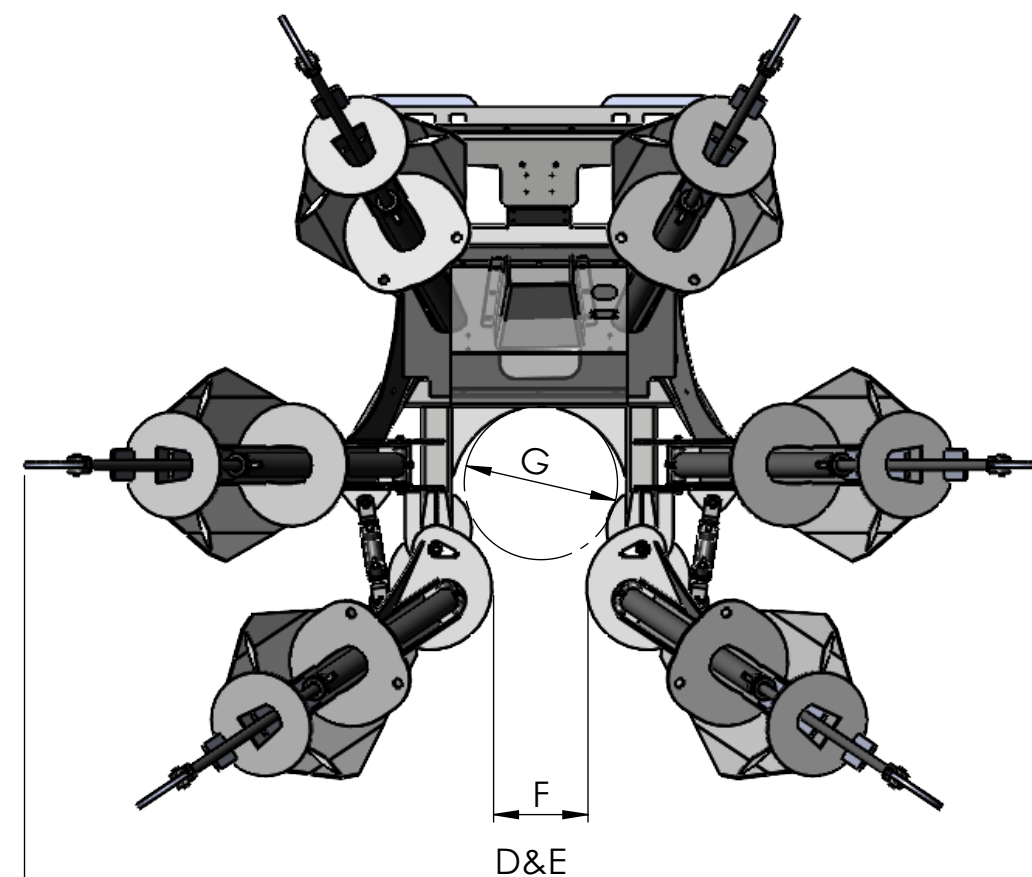
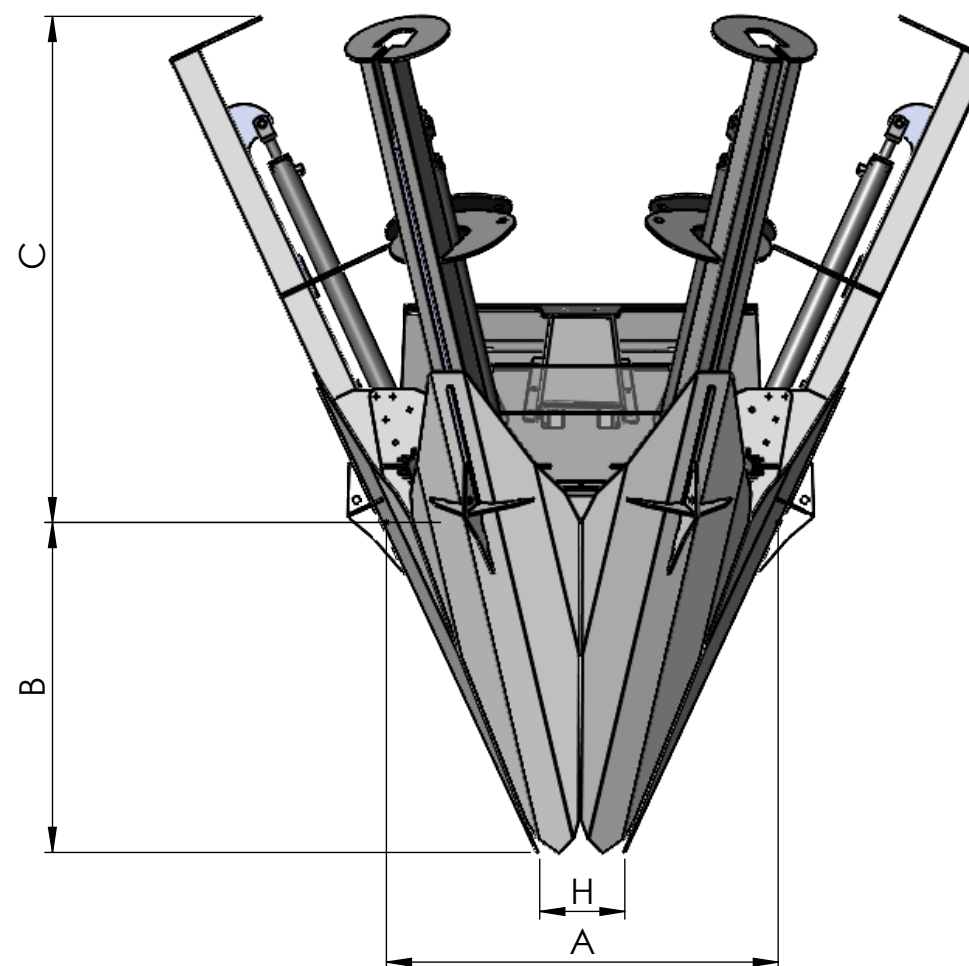
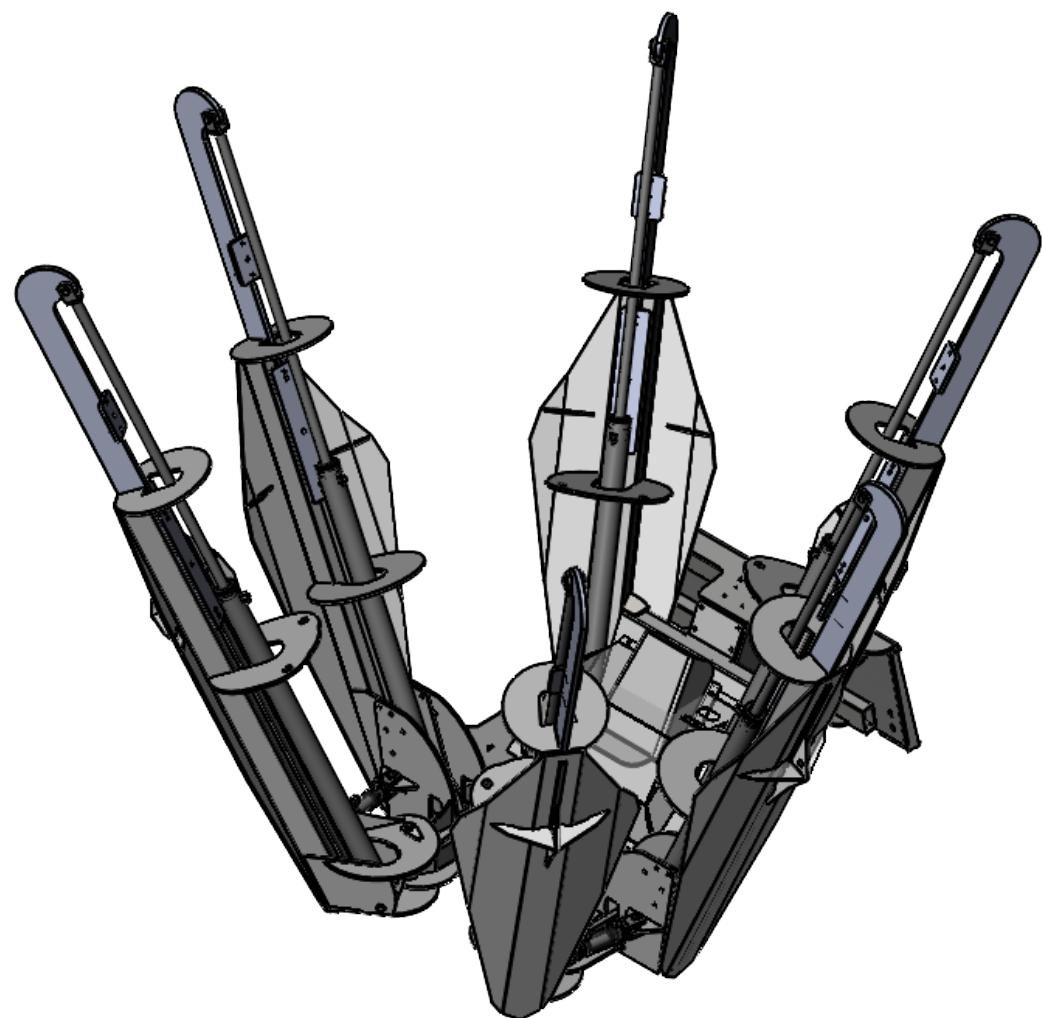


ST650



Basic Machine:

Upper rootball diameter, approx

A 127cm (50")

Rootball depth, approx

B 109.2cm (43")

Working height, approx

C 167.3cm (65.9")

Working width, gate closed

D 341.4cm (134.4")

Working width, gate open

E 341.5cm (134.4")

Clearance between open gate

F 31.2cm (12.3")

Inner frame diameter

G 50.8cm (20")

Bottom opening width, blades fully closed

H 28.1 cm (11.1")

Weight, empty

1469kgs (3238lbs)

Volume of rootball, approx

0.57 m³ (20.15 FT³)

Number of blades

6