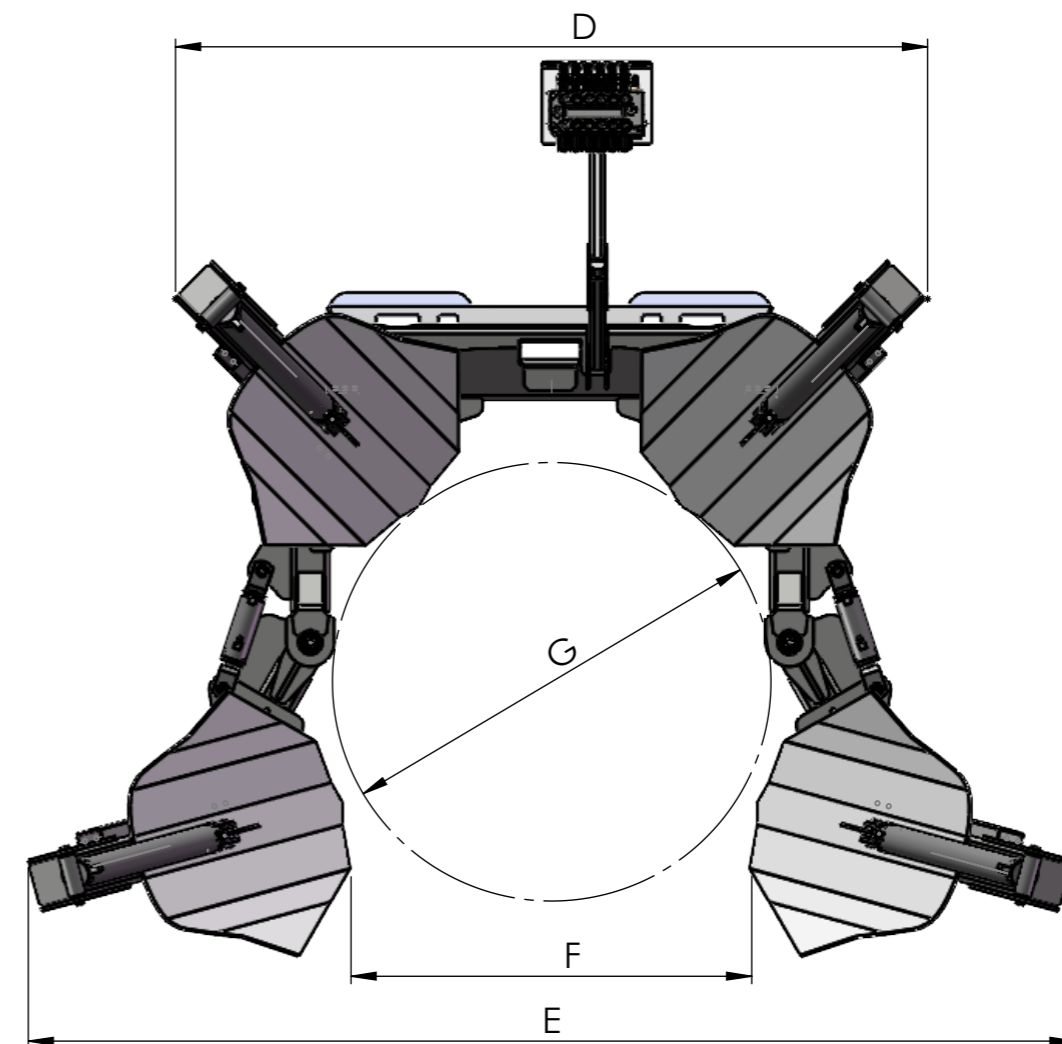
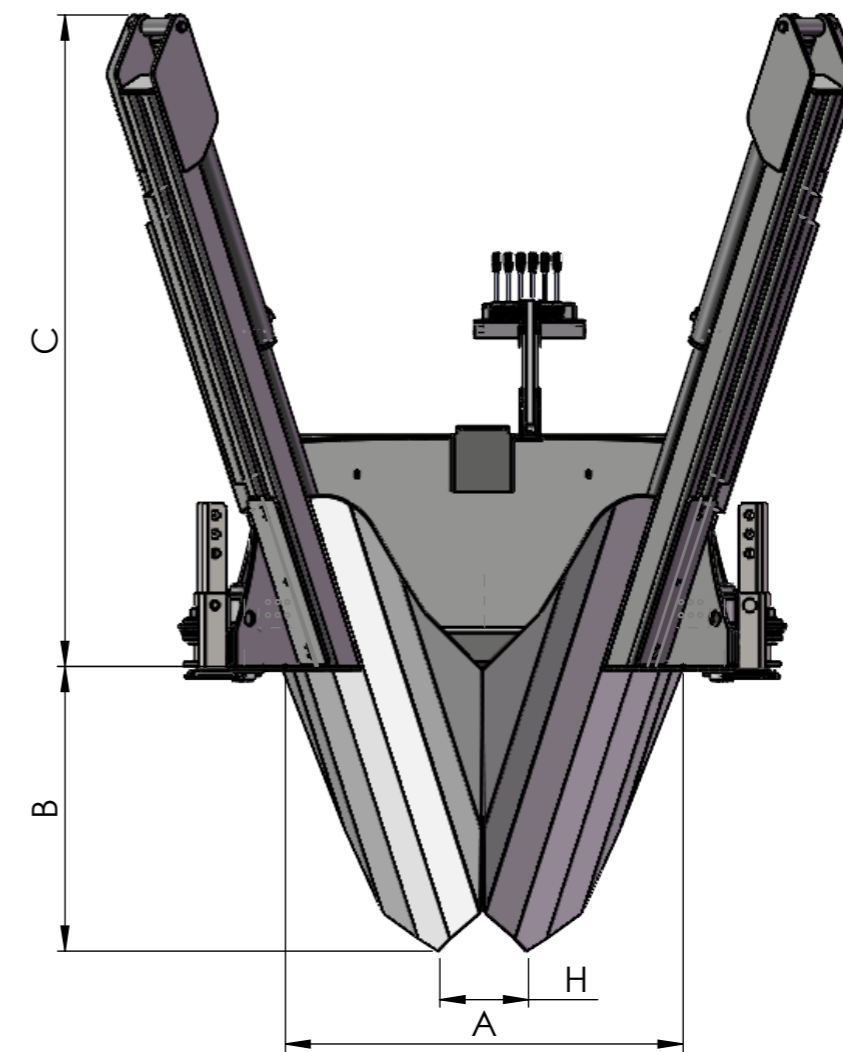
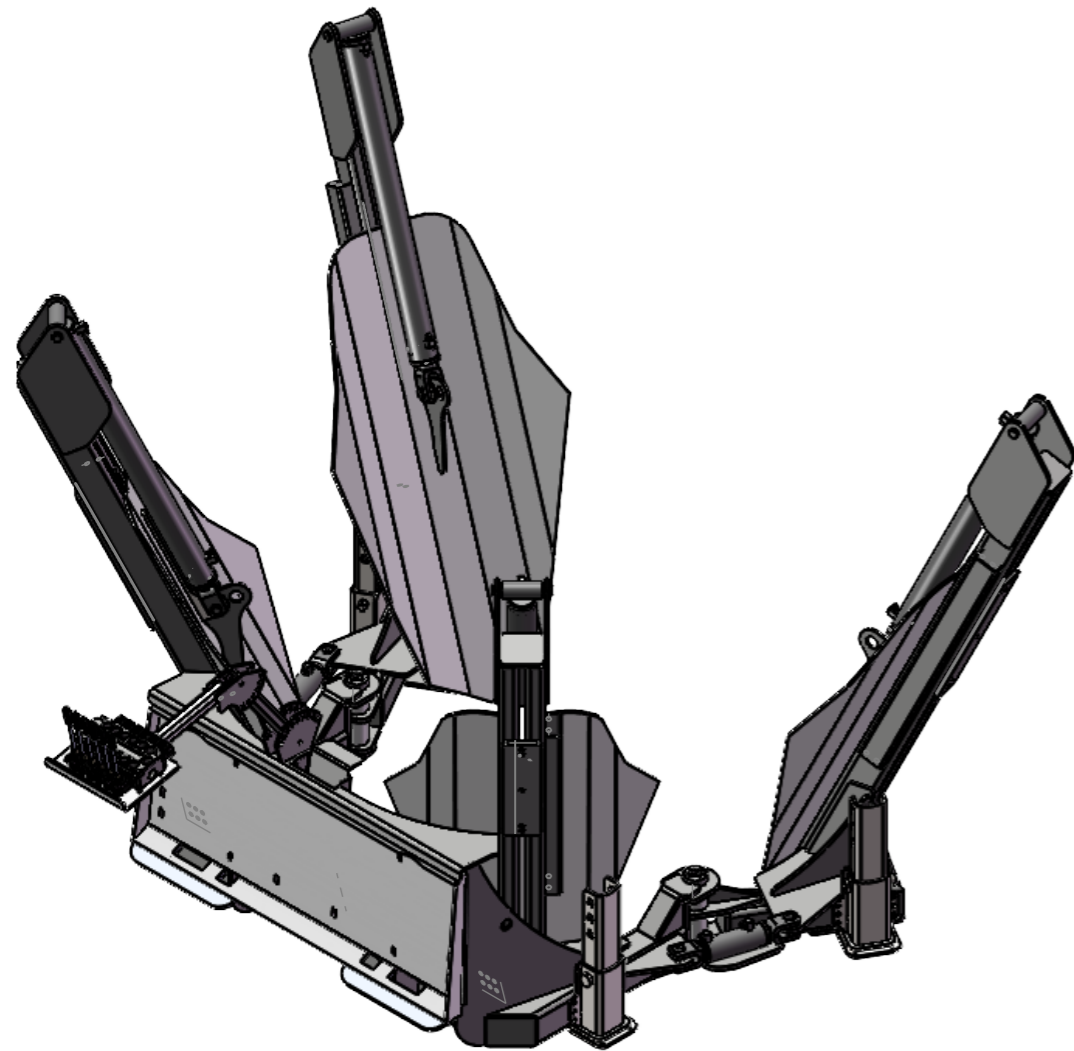




ST440



Basic Machine:

Upper rootball diameter, approx	A	101.6cm	(40")
Rootball depth, approx	B	76.2cm	(30")
Working height, approx	C	172.2cm	(67.8")
Working width, gate closed	D	198.9cm	(78.3")
Working width, gate open	E	276.9cm	(109")
Clearance between open gate	F	105.9cm	(41.7")
Inner frame diameter	G	115.6cm	(45.5")
Bottom opening width, blades fully closed	H	23.37 cm	(9.2")
Weight, empty		878kgs	(1934 lbs)
Volume of rootball, approx		0.29 m ³	(10.11 FT ³)
Number of blades		4	