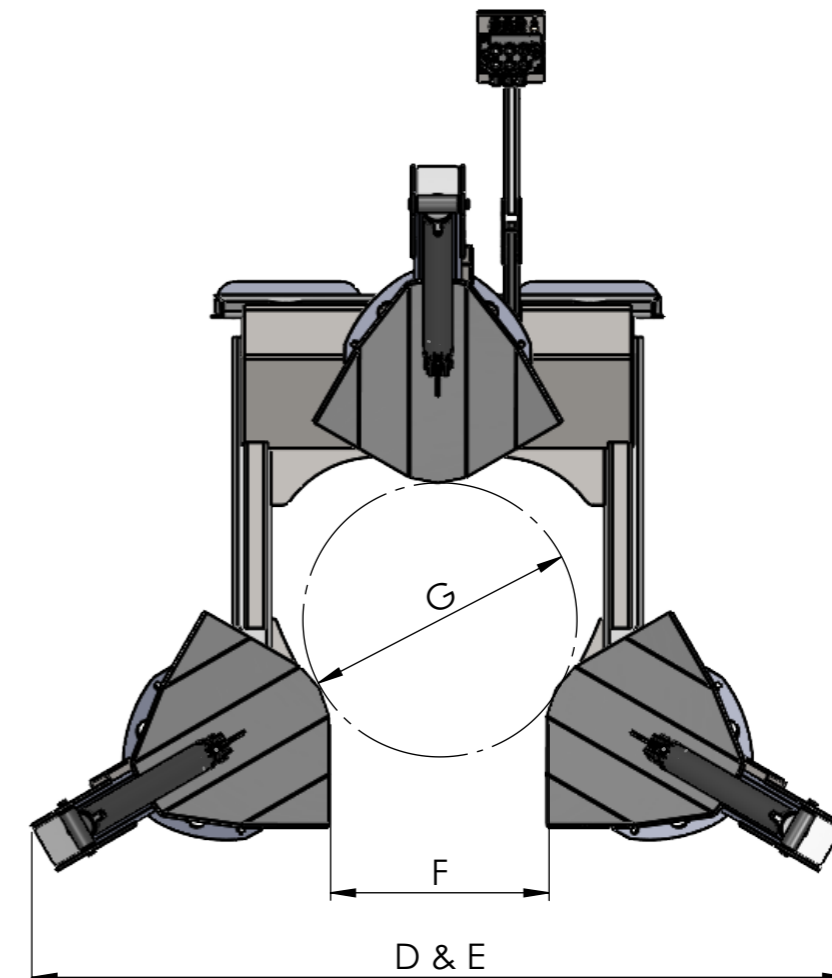
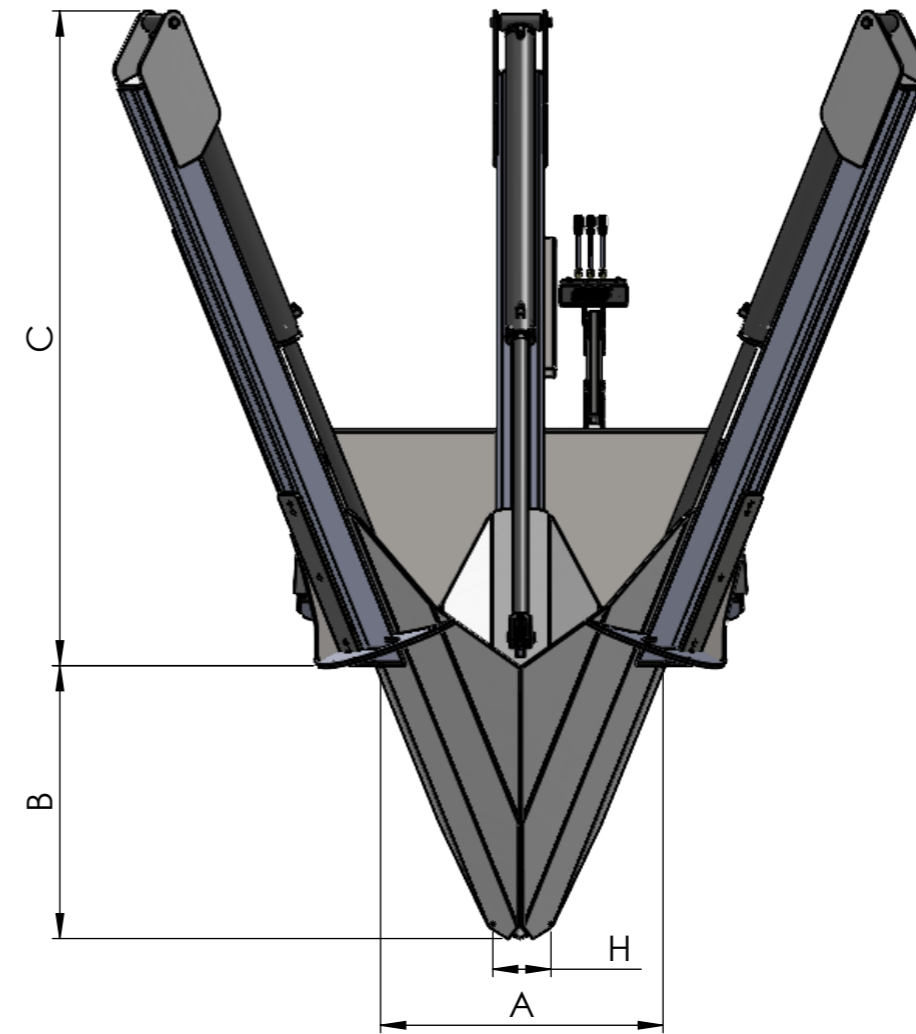
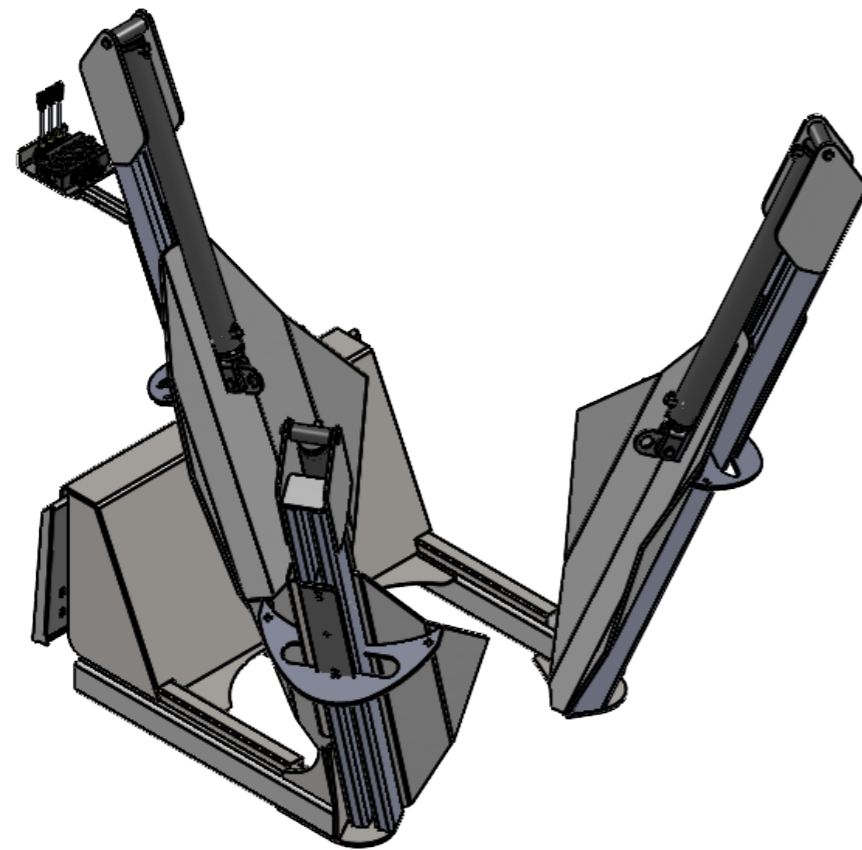


ST330



Basic Machine:

Upper rootball diameter, approx	A	76.2cm	(30")
Rootball depth, approx	B	73.6cm	(29")
Working height, approx	C	173.2cm	(68.2")
Working width, gate closed	D	215.9cm	(85")
Working width, gate open	E	215.9cm	(85")
Clearance between open gate	F	57.9cm	(22.8")
Inner frame diameter	G	72.4cm	(28.5")
Bottom opening width, blades fully closed	H	15.2 cm	(6")
Weight, empty		615kgs	(1356 lbs)
Volume of rootball, approx		0.124 m ³	(4.38 FT ³)
Number of blades		3	