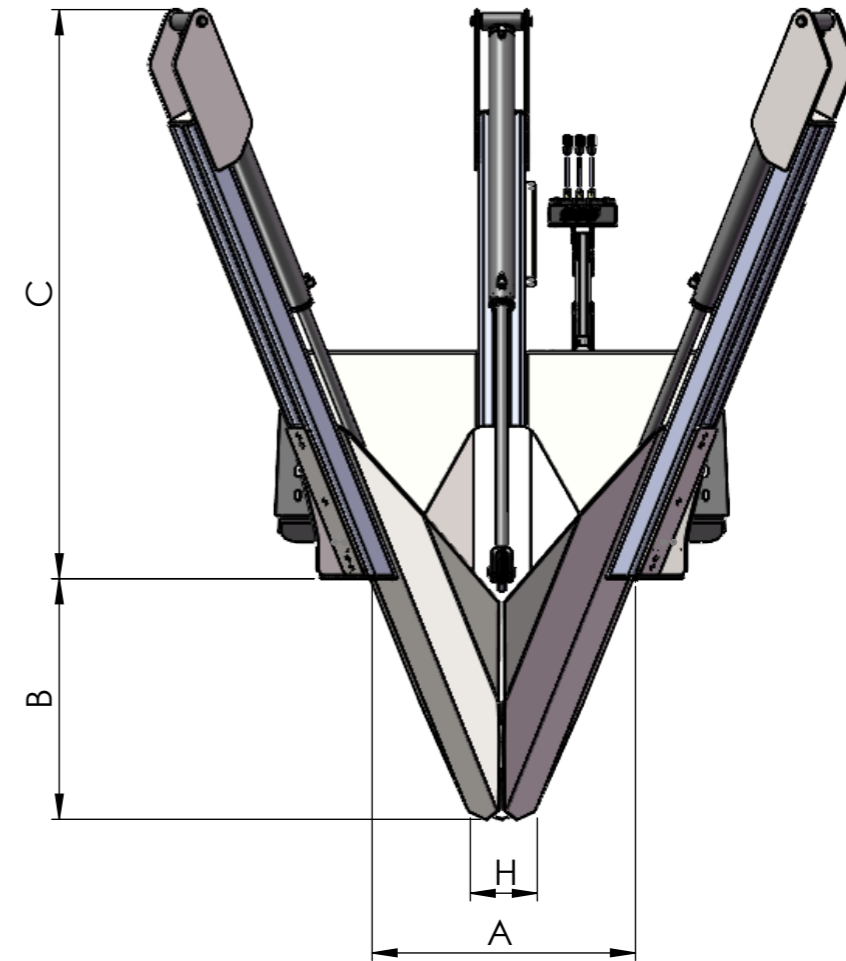
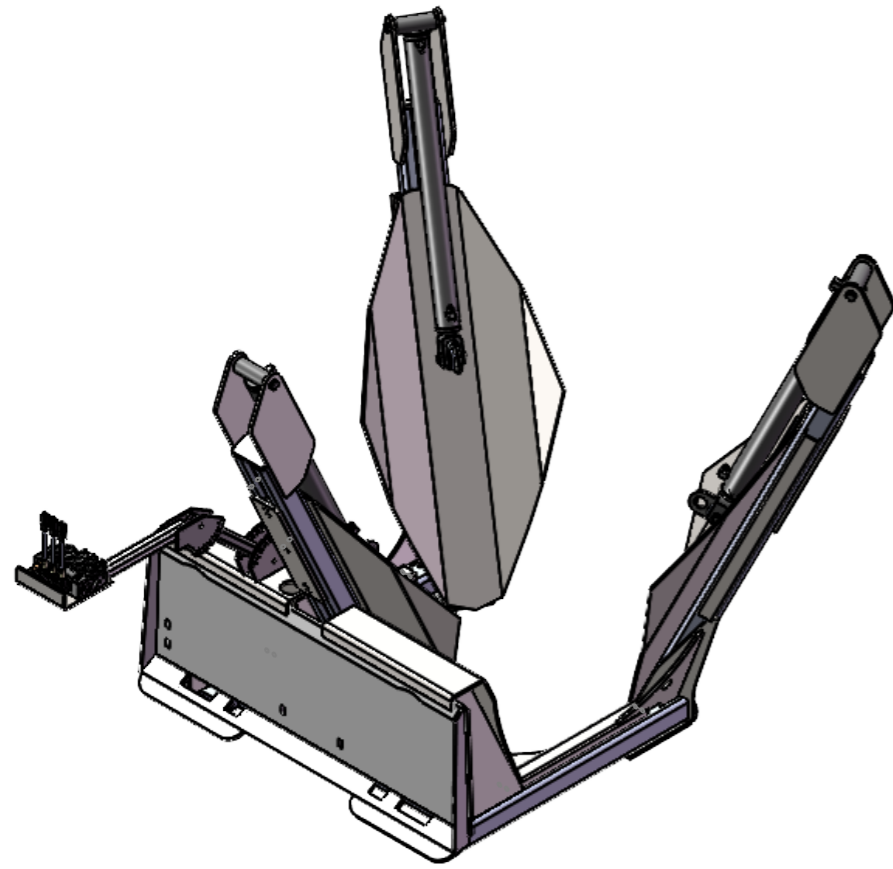


**ST324**



**Basic Machine:**

Upper rootball diameter, approx

A 61cm (24")

Rootball depth, approx

B 58.4cm (23")

Working height, approx

C 150.6cm (59.3")

Working width, gate closed

D 187.2cm (73.7")

Working width, gate open

E 187.2cm (73.7")

Clearance between open gate

F 50.8cm (20")

Inner frame diameter

G 66.8cm (26.3")

Bottom opening width, blades fully closed

H 17.8 cm (7")

Weight, empty

499kgs (1100 lbs)

Volume of rootball, approx

0.07 m<sup>3</sup> (2.53 FT<sup>3</sup>)

Number of blades

3

