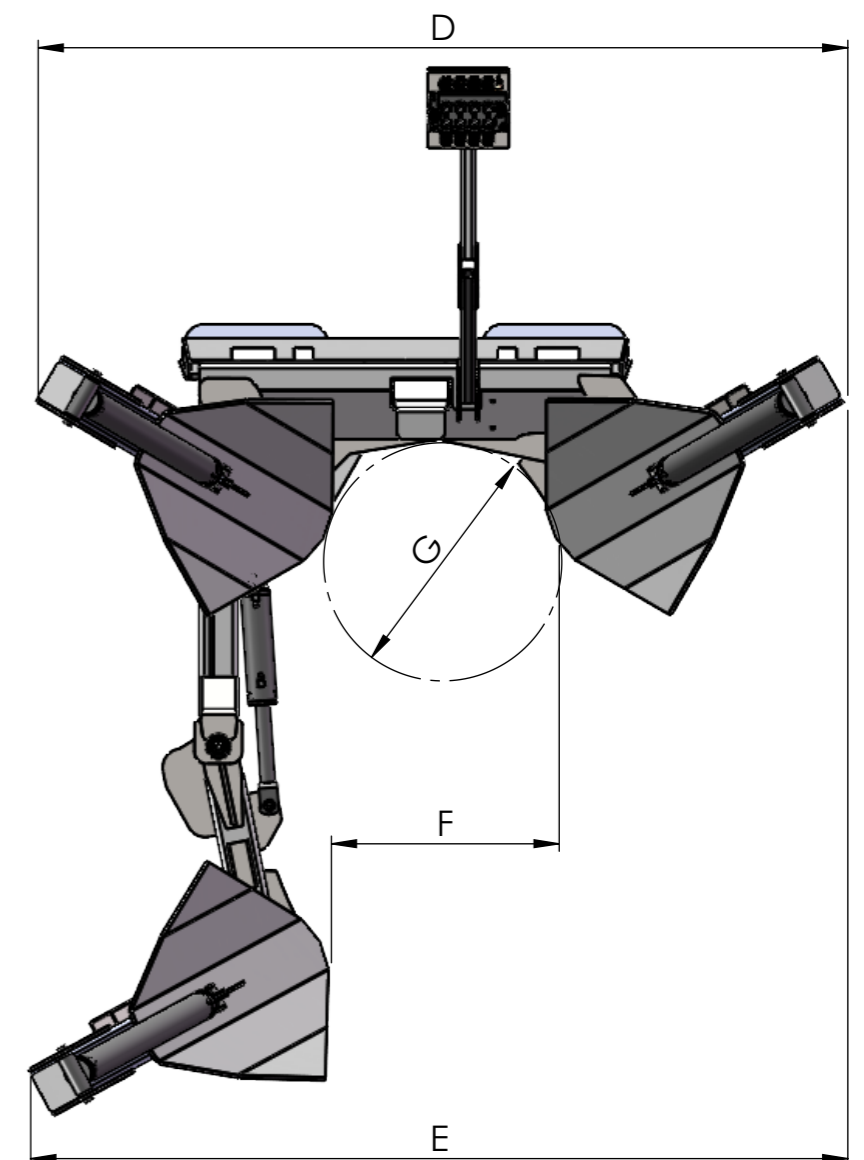
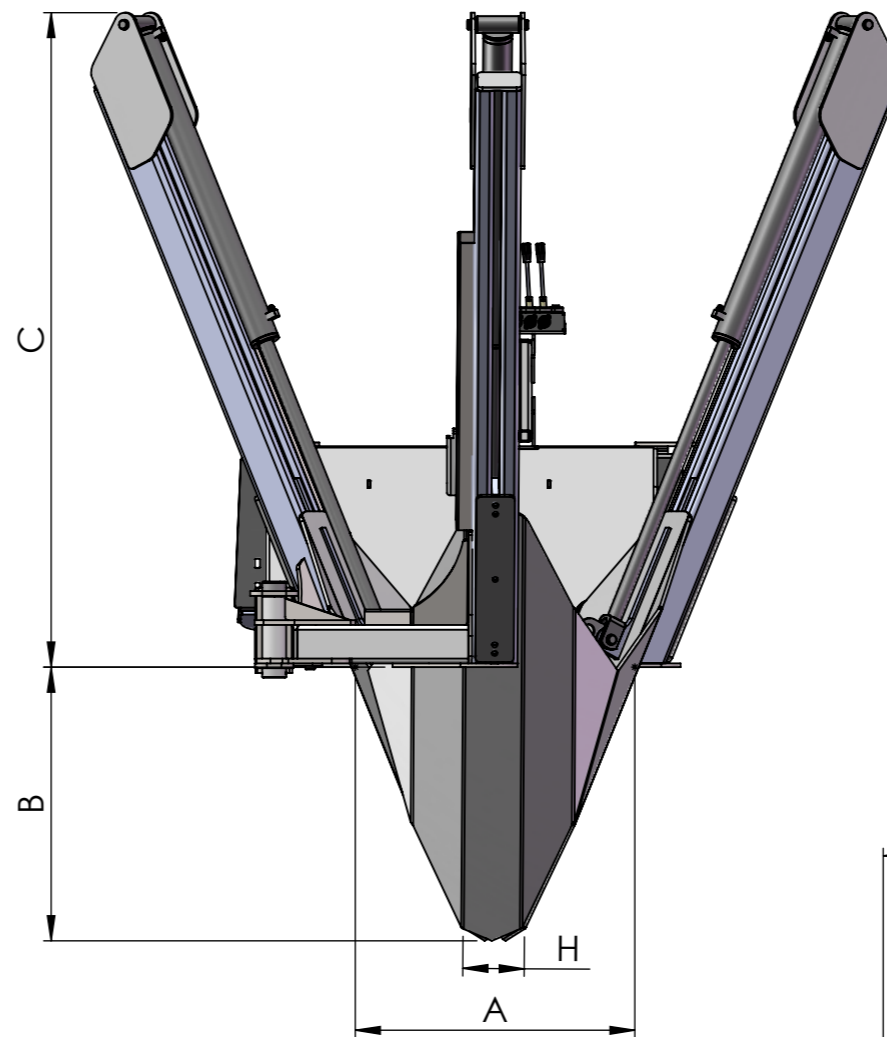
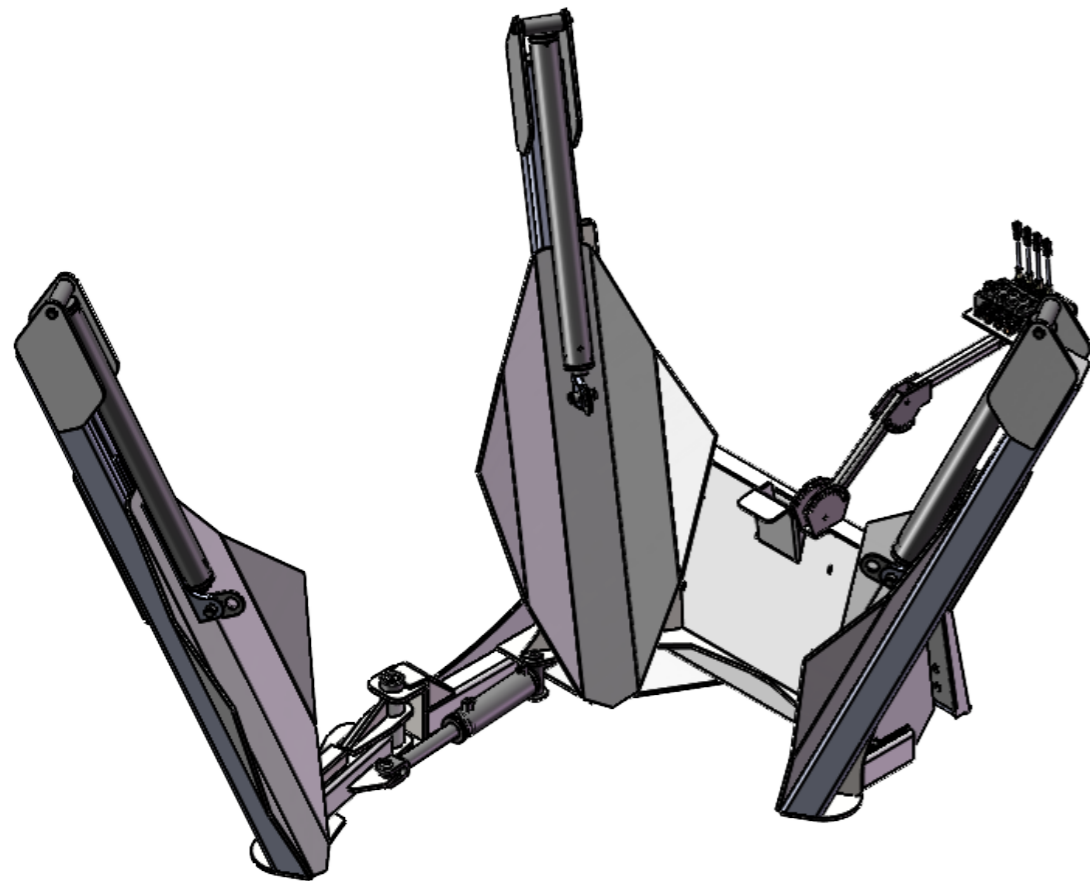


SS330



Basic Machine:

Upper rootball diameter, approx

A 76.2cm (30")

Rootball depth, approx

B 73.6cm (29")

Working height, approx

C 173cm (68.1")

Working width, gate closed

D 215.9cm (84.3")

Working width, gate open

E 215.9cm (85.1")

Clearance between open gate

F 57.9cm (23.7")

Inner frame diameter

G 72.4cm (24.8")

Bottom opening width, blades fully closed

H 16.3 cm (6.4")

Weight, empty

703kgs (1550lbs)

Volume of rootball, approx

0.124 m³ (4.38 FT³)

Number of blades

3