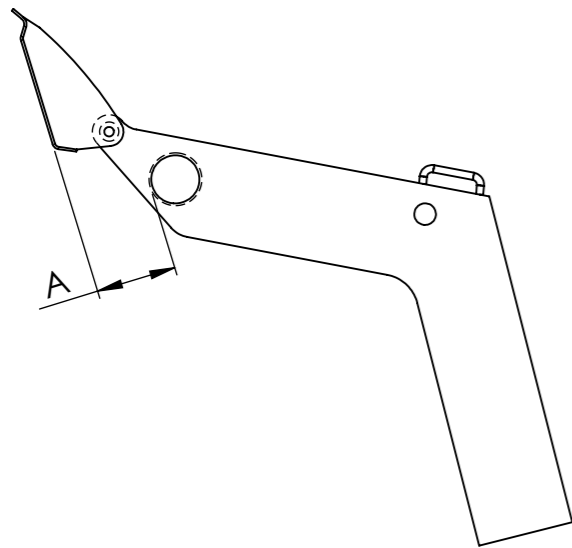




Extension Adapter

Before purchasing the FGS952 Feller Buncher, check your skid steer to see if the Extension Adapter is required.

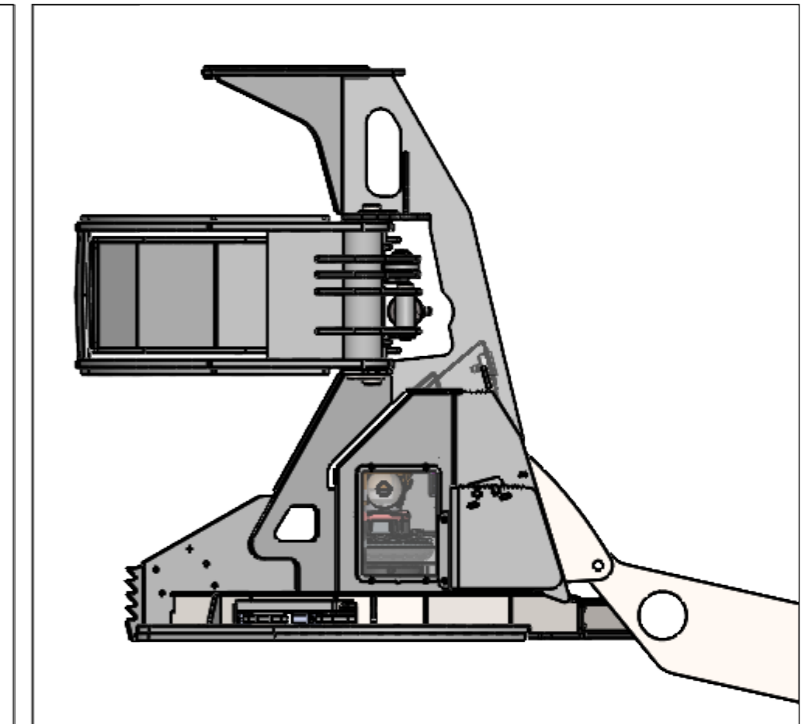
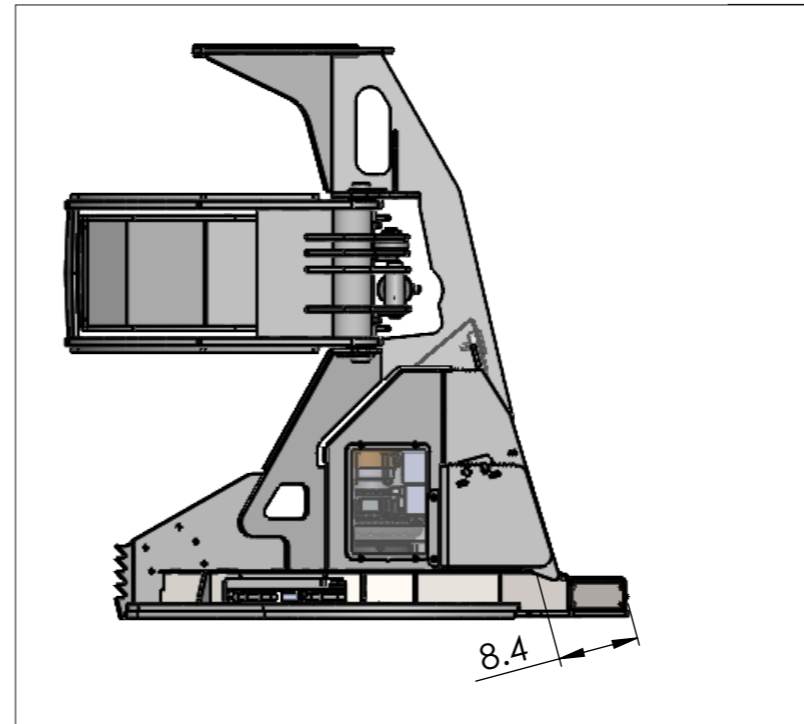
Depending on your skid steer model, the boom might interfere with the back end of the rotor shield when the skid steer boom is tilted forward as far as possible.



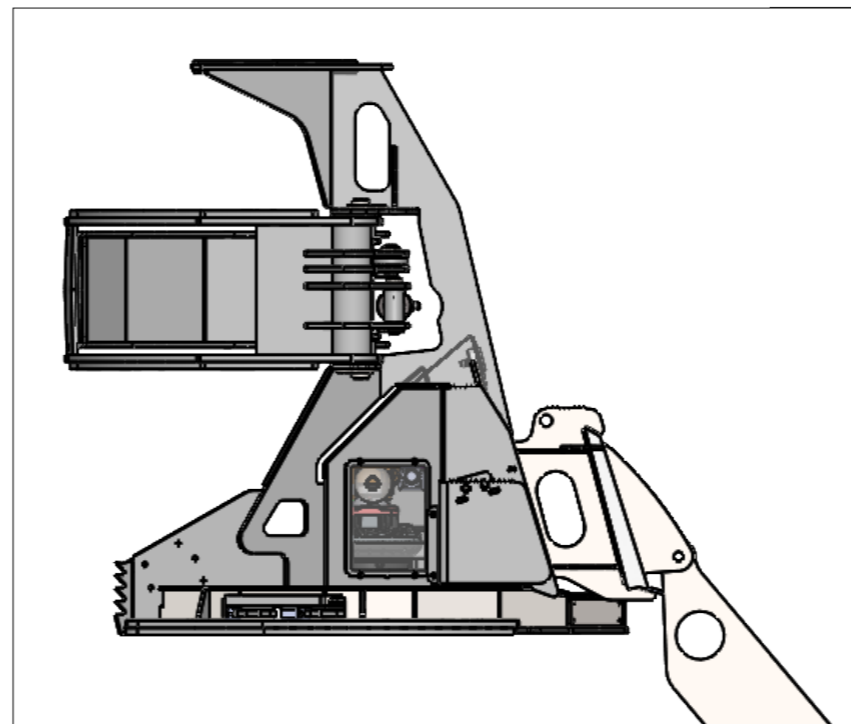
The FGS952 Feller buncher should have about 10" of clearance on the heel of the rotor shield for a good amount of clearance. If the "A" dimension is less on your skidsteer when tilted all the way forward then an extension adaptor is required to allow you to tilt all the way forward.

Note; you will want as short a spacer as possible because the closer the heavy weight of the tree is to the skidsteer, the nicer it will handle.

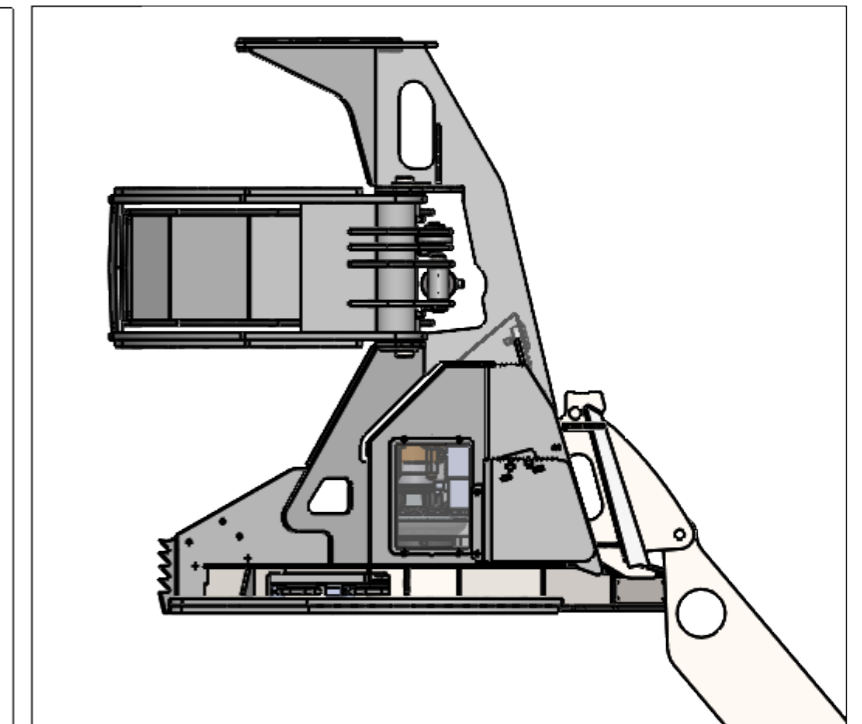
D006730 Extension adaptor provides 9" depth
D007646 Extension adaptor provides 5" depth



With out Extension Adapter



With D006730 Extension Adapter



With D007646 Extension Adapter