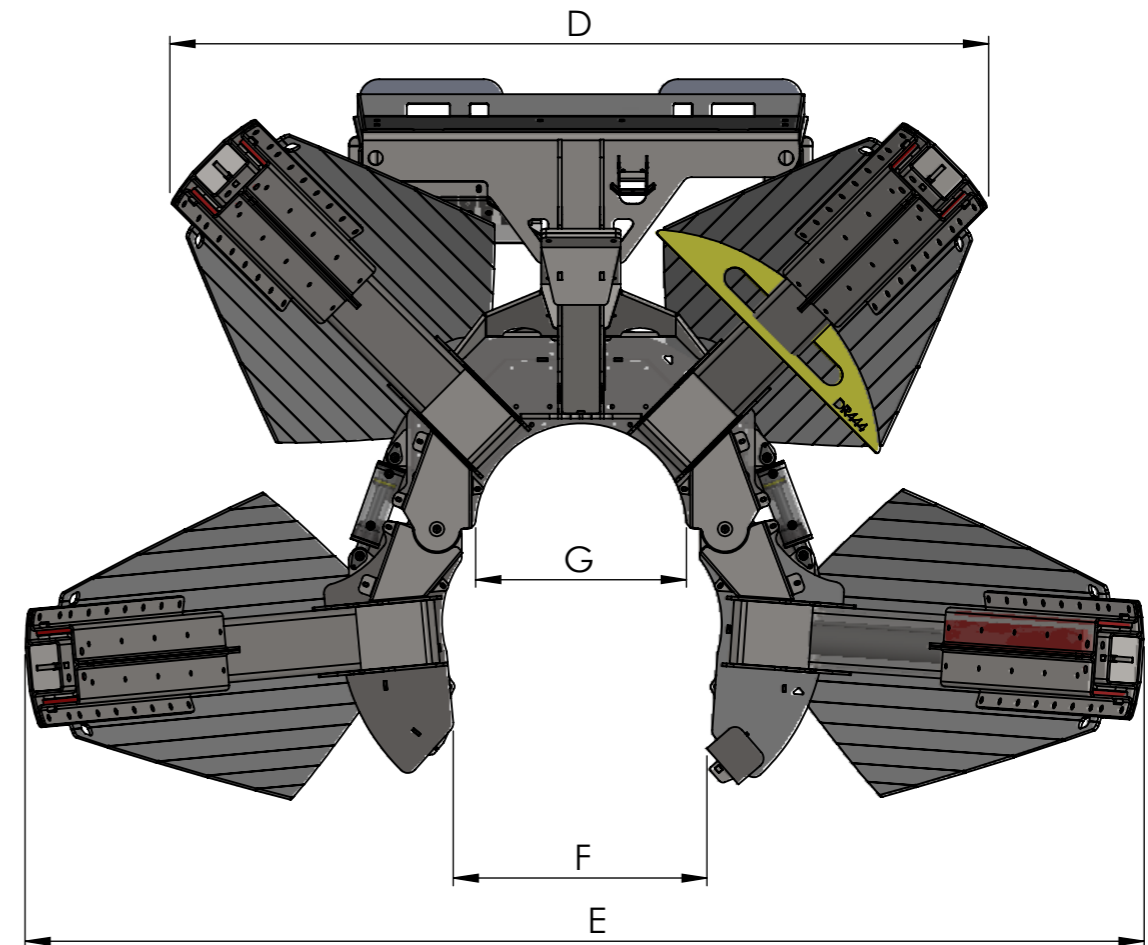
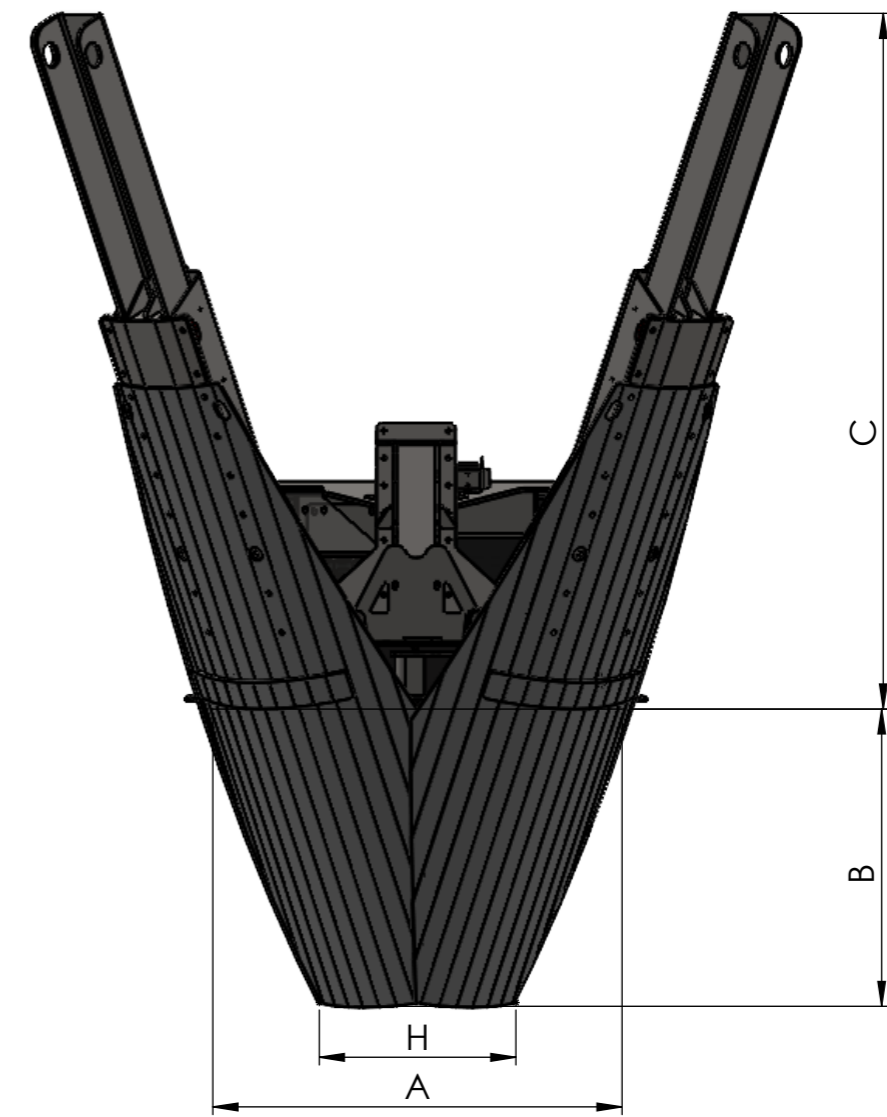
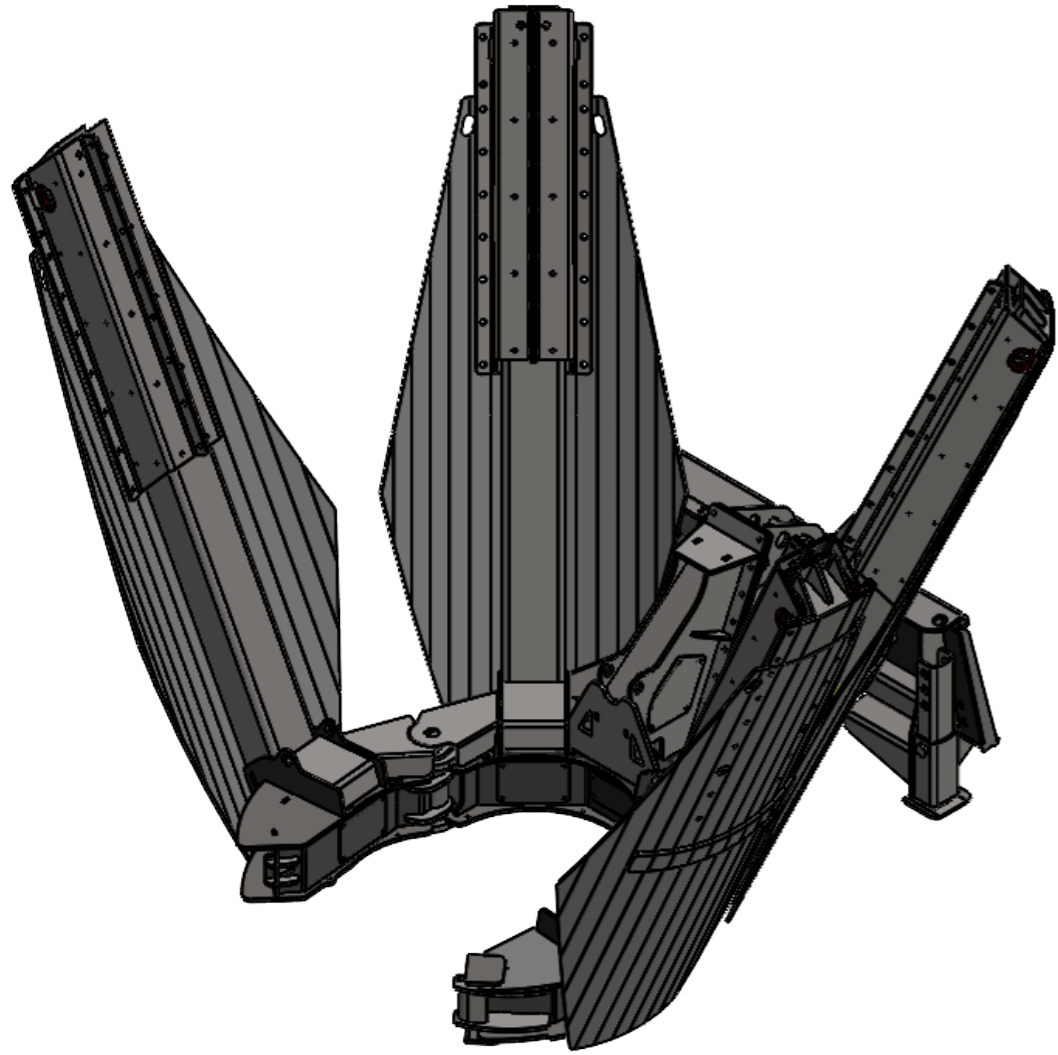


DR444



Basic Machine:

Upper rootball diameter, approx	A	111.7cm	(44")
Rootball depth, approx	B	78.7cm	(31")
Working height, approx	C	184cm	(72.4")
Working width, gate closed	D	216.5cm	(85.2")
Working width, gate open	E	295.7cm	(116.4")
Clearance between open gate	F	68cm	(26.7")
Inner frame diameter	G	55.6cm	(21.9")
Bottom opening width, blades fully closed	H	52 cm	(20.46")
Weight, empty		1338kgs	(2950 lbs)
Volume of rootball, approx		0.37 m ³	(13 FT ³)
Number of blades		4	