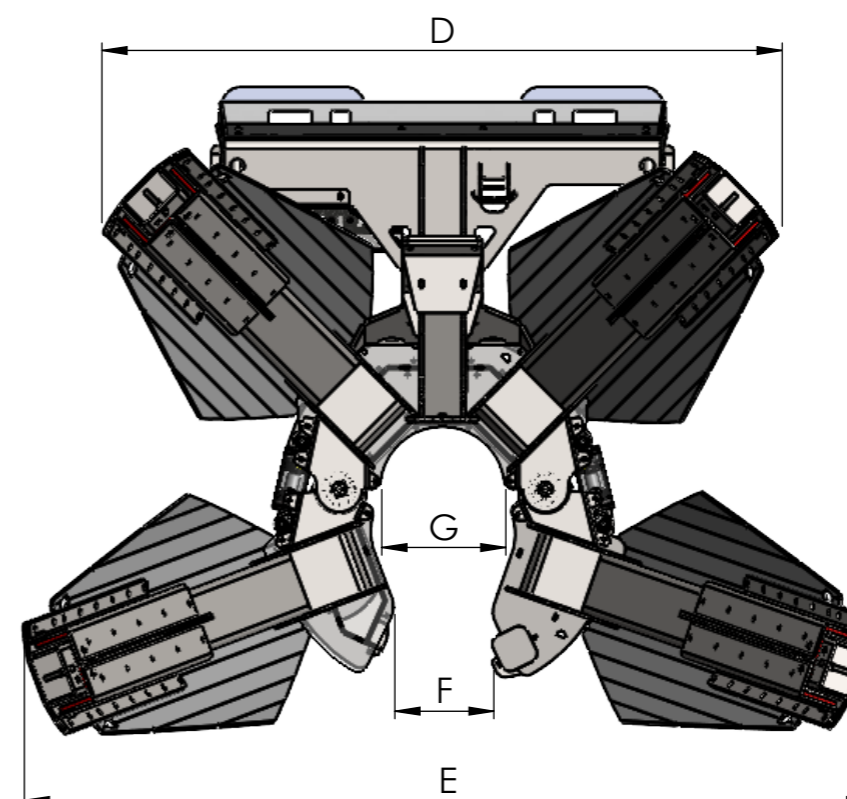
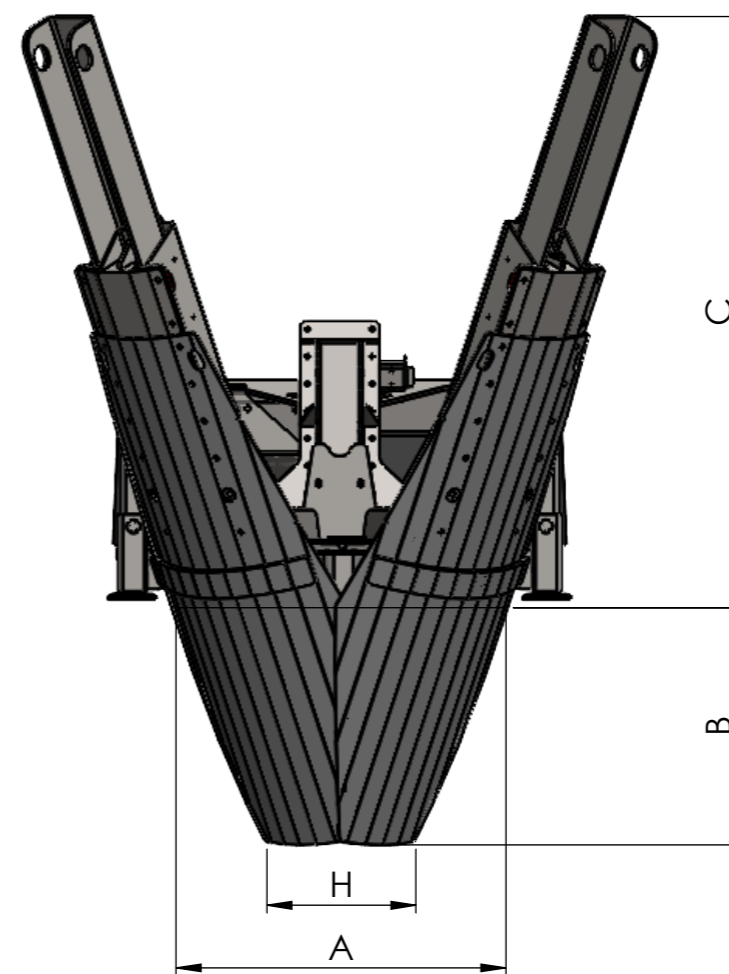
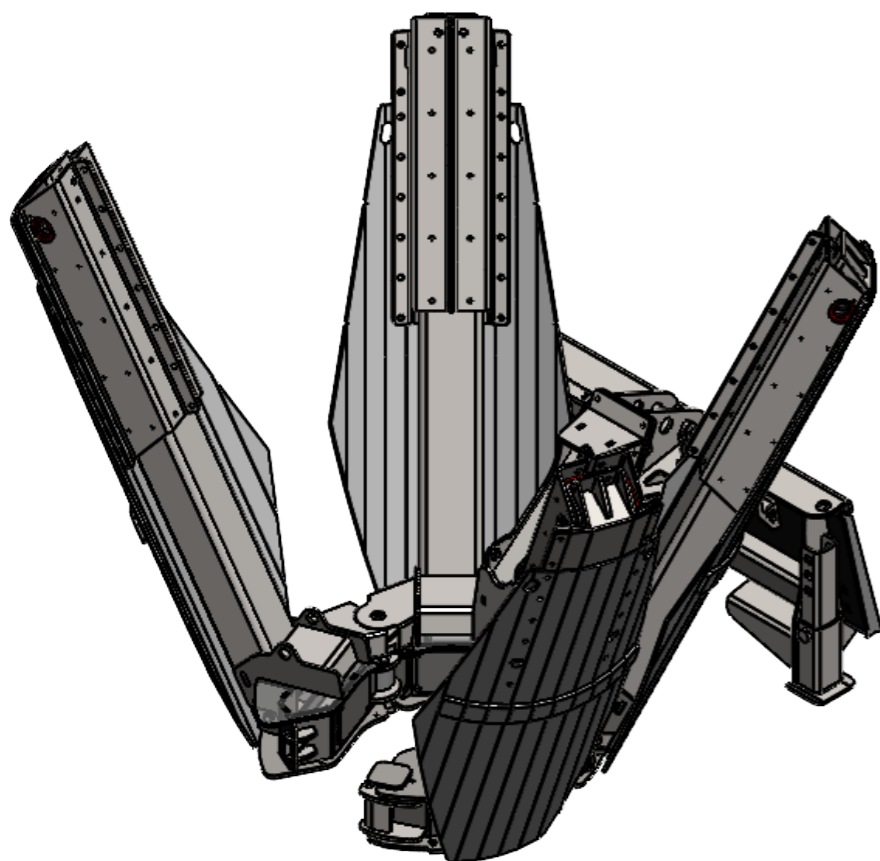


## DR434



### Basic Machine:

Upper rootball diameter, approx	A	86.3cm	(34")
Rootball depth, approx	B	58.4cm	(23")
Working height, approx	C	156.3cm	(61.5")
Working width, gate closed	D	179.8cm	(70.8")
Working width, gate open	E	224.3cm	(88.3")
Clearance between open gate	F	26.1cm	(10.3")
Inner frame diameter	G	32.7cm	(12.9")
Bottom opening width, blades fully closed	H	39.4cm	(15.5")
Weight, empty		1125kgs	(2480 lbs)
Volume of rootball, approx		0.17 m <sup>3</sup>	(6FT <sup>3</sup> )
Number of blades		4	