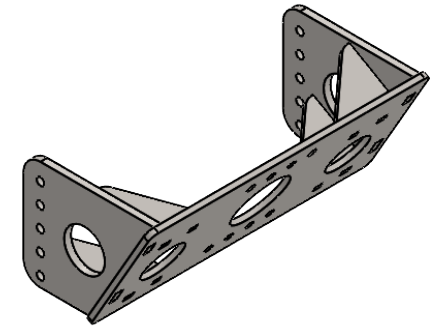
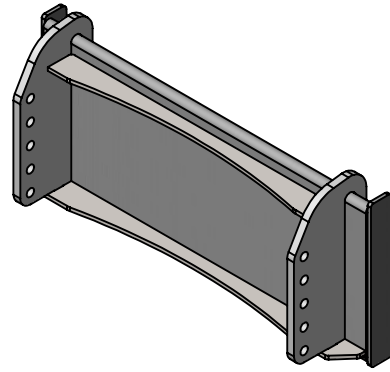
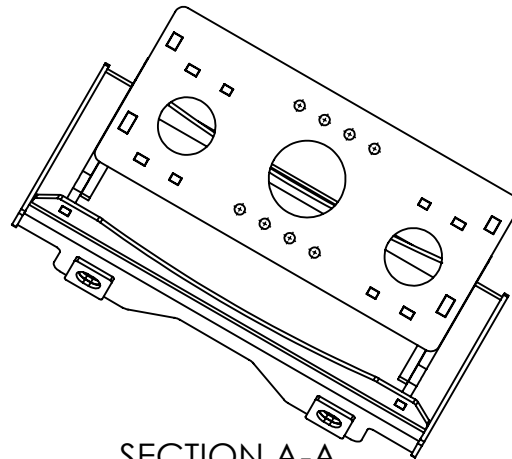
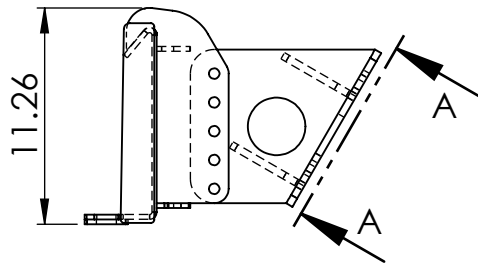


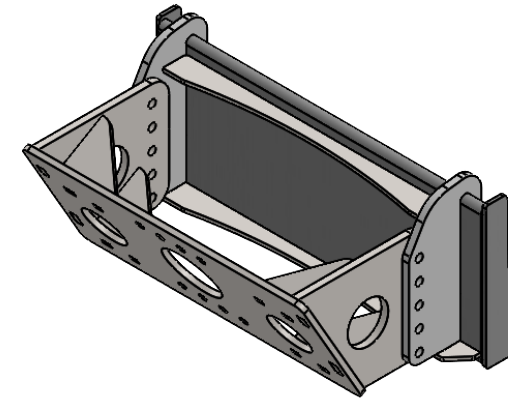
D006490-Center weldment for bolt-on Baumligh FM mini Mount



D007614-Custom jack hammer mounting weldment, customer must supply dimensions



SECTION A-A



D007615-Custom Jack hammer mounting adaptor assembly

Note: D007615 to Custom jack hammer mounting adaptor assembly not available; subassemblies must be ordered individually.

PROPRIETARY AND CONFIDENTIAL
THE INFORMATION CONTAINED IN THIS DRAWING IS THE SOLE PROPERTY OF BAUMLIGHT. ANY REPRODUCTION IN PART OR AS A WHOLE WITHOUT THE WRITTEN PERMISSION OF BAUMLIGHT IS PROHIBITED.



Description: Custom Jack hammer mounting adaptor assembly

Weight lbs	Thickness in.	K-Factor	DATE 06-02-2025	DWG. NO. D007615	REV A
DO NOT SCALE DRAWING	SCALE: 1:10	SHEET 1 OF 1			