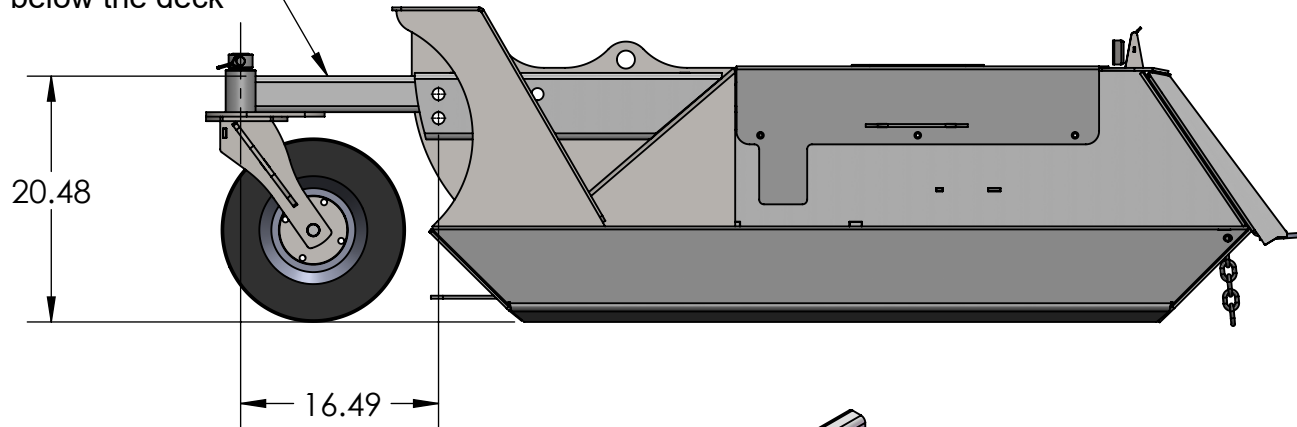
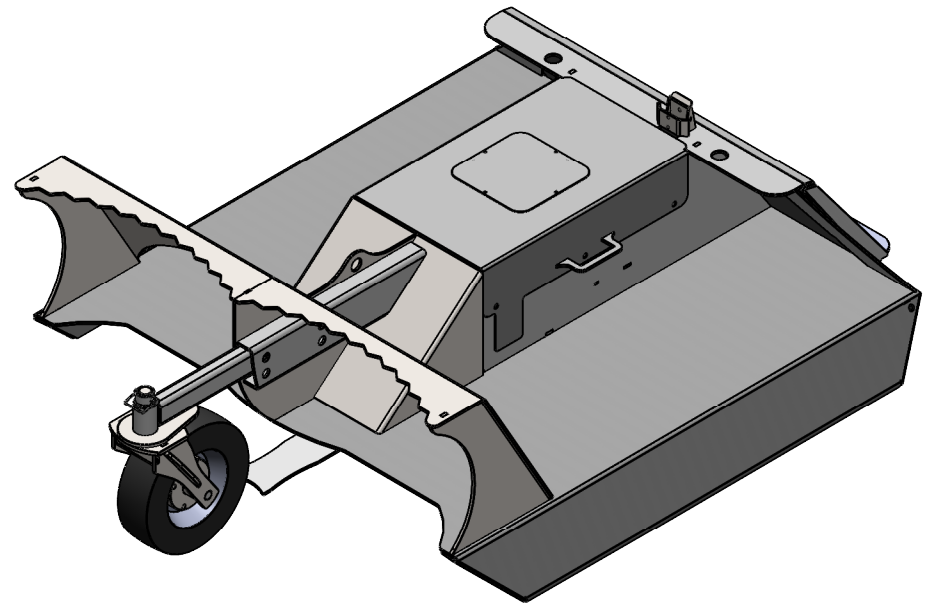
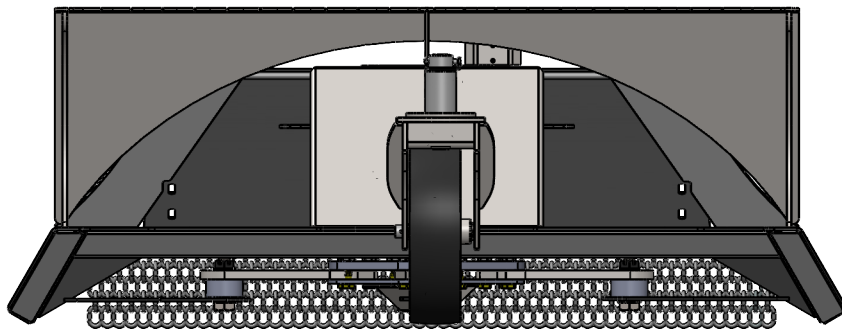
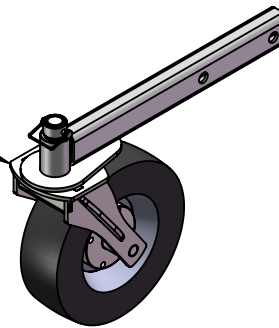


Wheel can be lowered
2" below the deck



Optional Tail Wheel



PROPRIETARY AND CONFIDENTIAL
THE INFORMATION CONTAINED IN THIS DRAWING IS THE SOLE PROPERTY OF BAUMALIGHT. ANY REPRODUCTION IN PART OR AS A WHOLE WITHOUT THE WRITTEN PERMISSION OF BAUMALIGHT IS PROHIBITED.



Description

Tail wheel assembly for CF560 & CF572

Weight
1421.96 lbs

Thickness
in.

K-Factor

DATE
25-02-2022

DWG. NO.

D002918

REV
A

DO NOT SCALE DRAWING

SCALE: 1:16

SHEET 1 OF 1

5

4

3

2

1