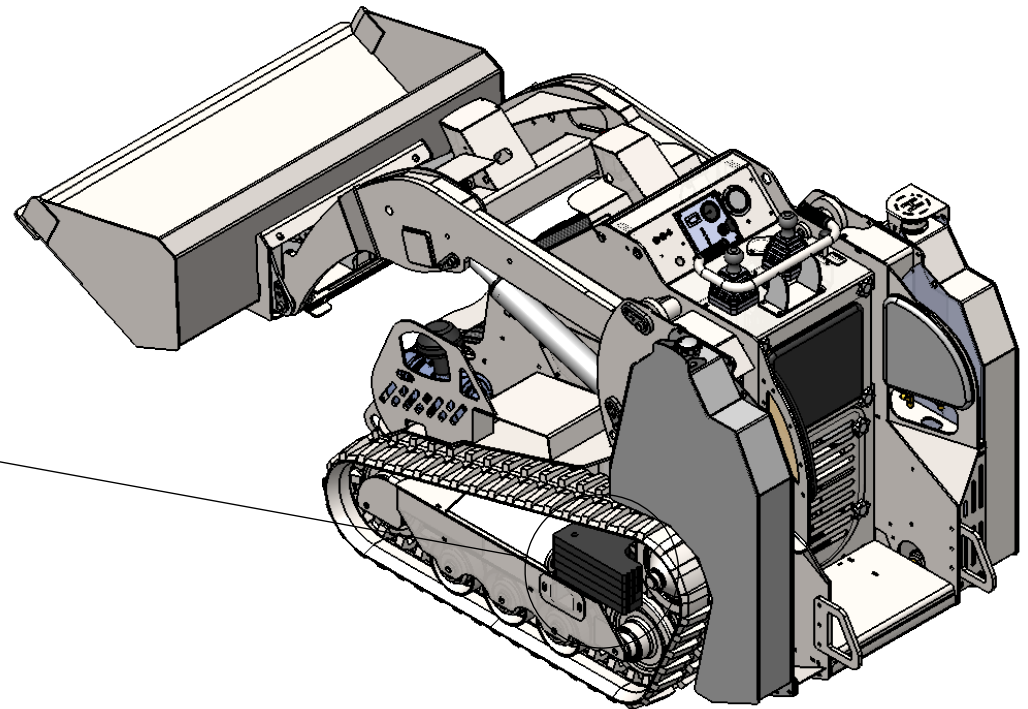
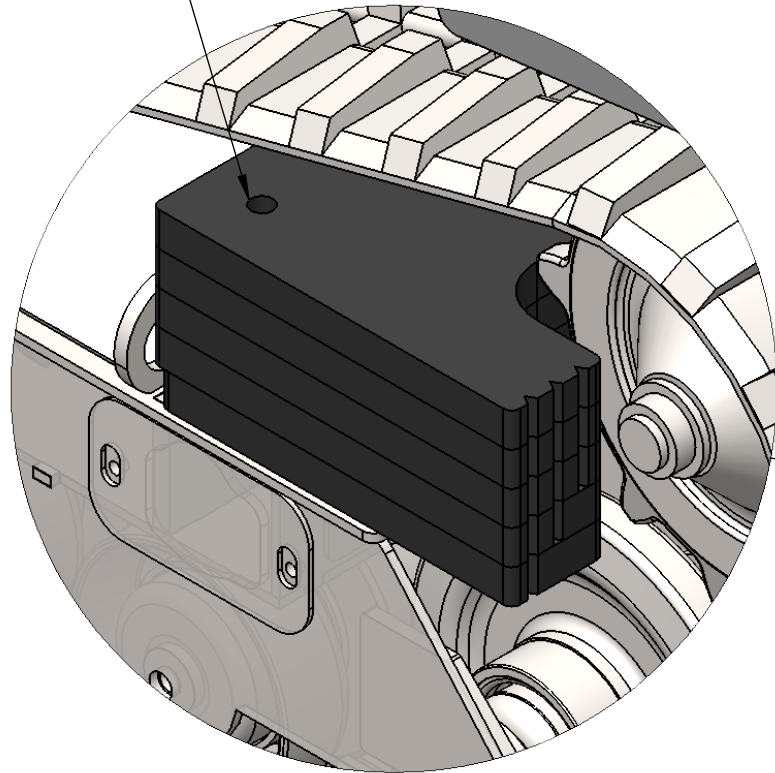


Use 1/2" threaded rod
6-1/2" Long with lock nut



DETAIL A
SCALE 1 : 4

Notes:

1. Always make sure to have the Weights in the correct order before assembling. Use the number of Grooves on the back side to identify the plates.
2. Align the Grooves on the back like shown in the Detail view.

PROPRIETARY AND CONFIDENTIAL
THE INFORMATION CONTAINED IN THIS DRAWING IS THE SOLE PROPERTY OF BAUMALIGHT. ANY REPRODUCTION IN PART OR AS A WHOLE WITHOUT THE WRITTEN PERMISSION OF BAUMALIGHT IS PROHIBITED.



Description

Tracked Radial Lift

Weight lbs	Thickness in.	K-Factor	DATE 15-03-2022	DWG. NO. TRL620Y-Weights-D10	REV A
DO NOT SCALE DRAWING		SCALE: 1:20	SHEET 1 OF 1		