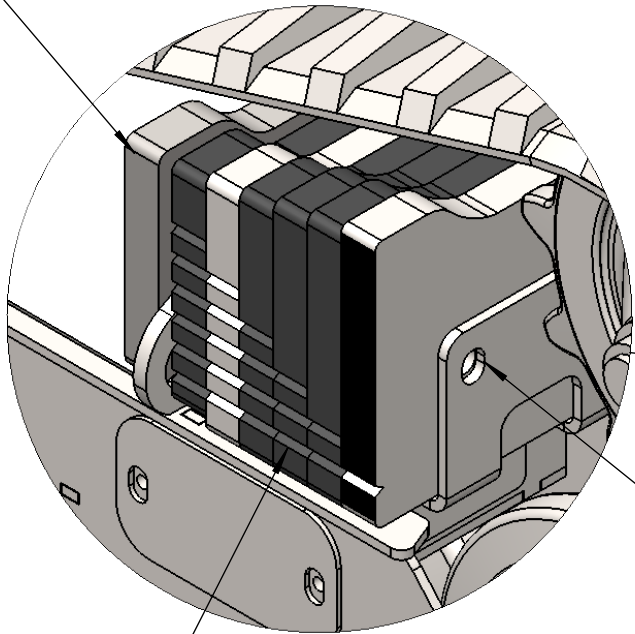
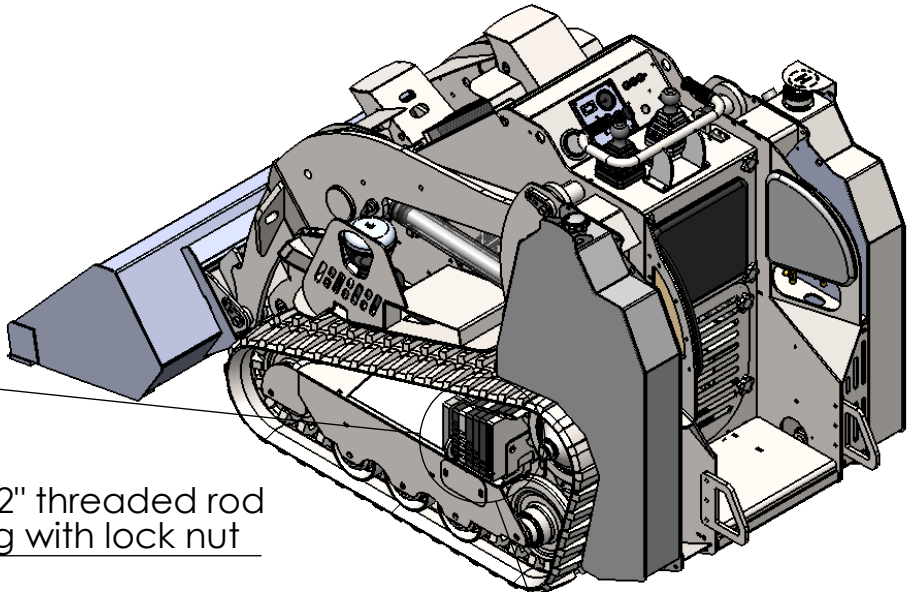


TRL620D

Plate without identification mark



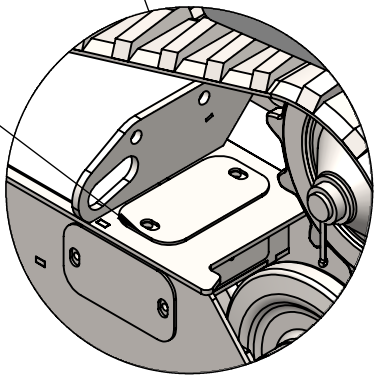
Use 1/2" threaded rod
9" Long with lock nut



Identification mark

DETAIL A
SCALE 1 : 4

Remove access cover



Notes:

1. Remove access cover.
2. Always ensure the weights are in the correct order before assembling.
3. Use the number of grooves on the side to identify the plates.
4. Assemble the weight kit in the order of identification from greatest number of grooves to least. The plate without an identification mark should be assembled first, as shown in the image.

PROPRIETARY AND CONFIDENTIAL
THE INFORMATION CONTAINED IN THIS DRAWING IS THE SOLE PROPERTY OF BAUMALIGHT. ANY REPRODUCTION IN PART OR AS A WHOLE WITHOUT THE WRITTEN PERMISSION OF BAUMALIGHT IS PROHIBITED.



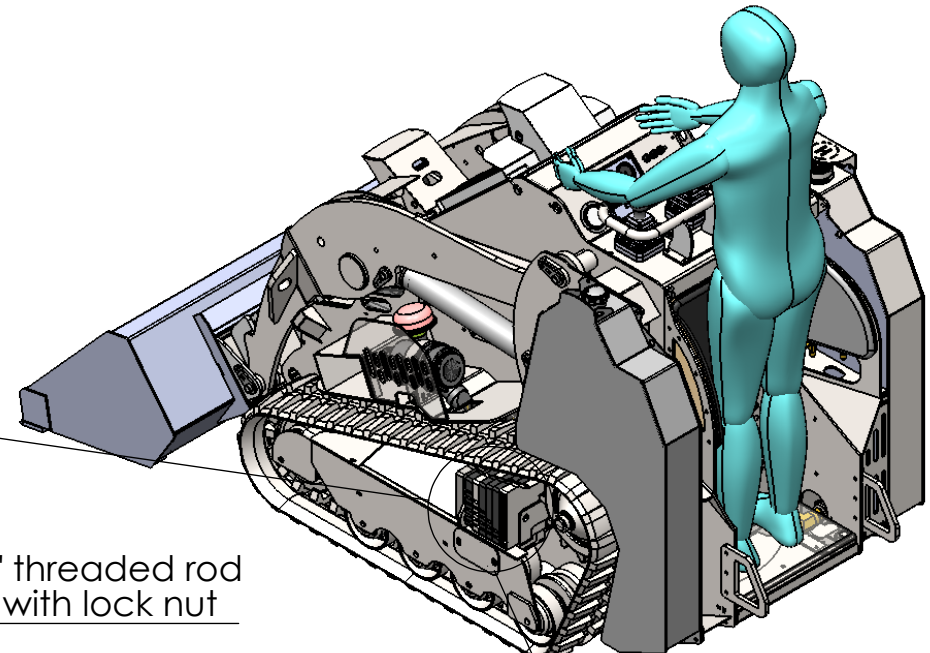
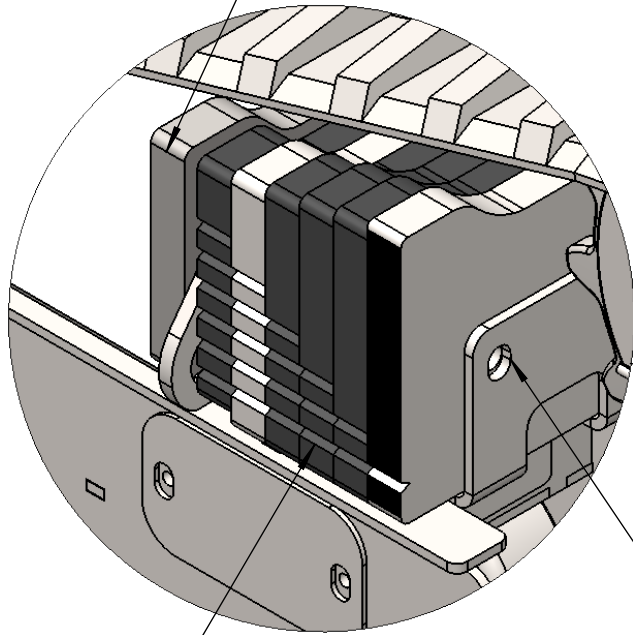
Description

Tracked Radial Lift

Weight lbs	Thickness in.	K-Factor	DATE 25-07-2023	DWG. NO. D006852	REV A
DO NOT SCALE DRAWING		SCALE: 1:20	SHEET 1 OF 3		

TRL620P

Plate without identification mark

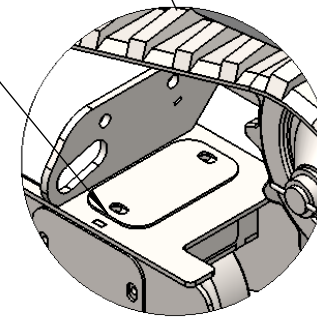


Use 1/2" threaded rod
9" Long with lock nut

Identification mark

DETAIL D
SCALE 1 : 4

Remove access cover



Notes:

1. Remove access cover.
2. Always ensure the weights are in the correct order before assembling.
3. Use the number of grooves on the side to identify the plates.
4. Assemble the weight kit in the order of identification from greatest number of grooves to least. The plate without an identification mark should be assembled first, as shown in the image.

PROPRIETARY AND CONFIDENTIAL
THE INFORMATION CONTAINED IN THIS DRAWING IS THE SOLE PROPERTY OF BAUMALIGHT. ANY REPRODUCTION IN PART OR AS A WHOLE WITHOUT THE WRITTEN PERMISSION OF BAUMALIGHT IS PROHIBITED.



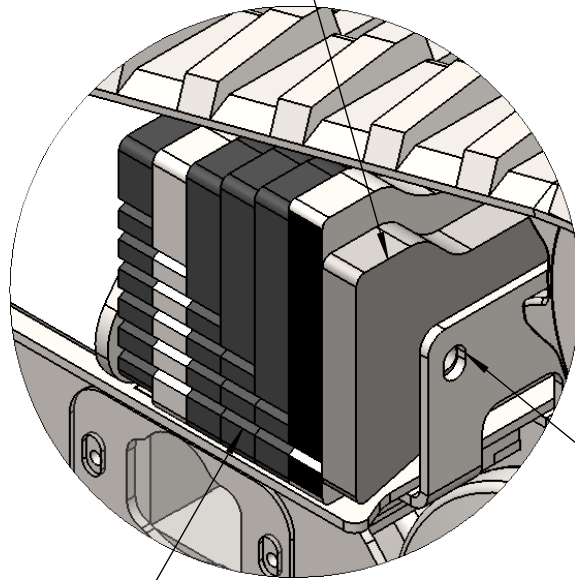
Description

Tracked Radial Lift

Weight lbs	Thickness in.	K-Factor	DATE 25-07-2023	DWG. NO. D006852	REV A
DO NOT SCALE DRAWING		SCALE: 1:20	SHEET 2 OF 3		

TRL620Y

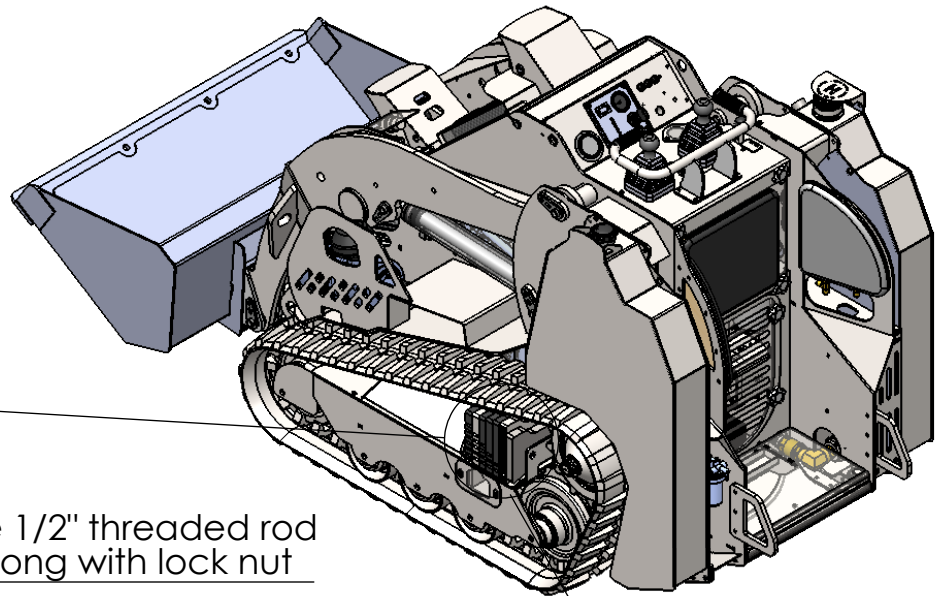
Plate without identification mark



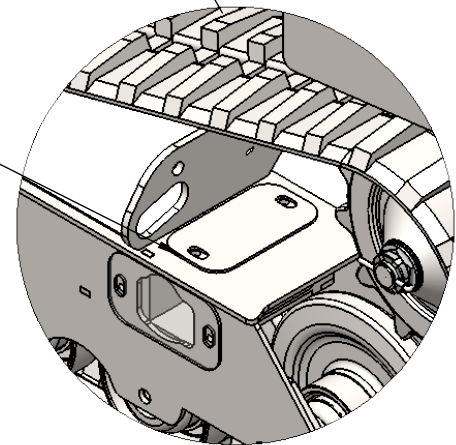
Identification mark

DETAIL C
SCALE 1 : 4

Use 1/2" threaded rod
9" Long with lock nut



Remove access cover



Notes:

1. Remove access cover.
2. Always ensure the weights are in the correct order before assembling.
3. Use the number of grooves on the side to identify the plates.
4. Assemble the weight kit in the order of identification from greatest number of grooves to least. The plate without an identification mark should be assembled last, as shown in the image.

PROPRIETARY AND CONFIDENTIAL
THE INFORMATION CONTAINED IN THIS DRAWING IS THE SOLE PROPERTY OF BAUMALIGHT. ANY REPRODUCTION IN PART OR AS A WHOLE WITHOUT THE WRITTEN PERMISSION OF BAUMALIGHT IS PROHIBITED.



Description

Tracked Radial Lift

Weight lbs	Thickness in.	K-Factor	DATE 25-07-2023	DWG. NO. D006852	REV A
DO NOT SCALE DRAWING		SCALE: 1:20	SHEET 3 OF 3		