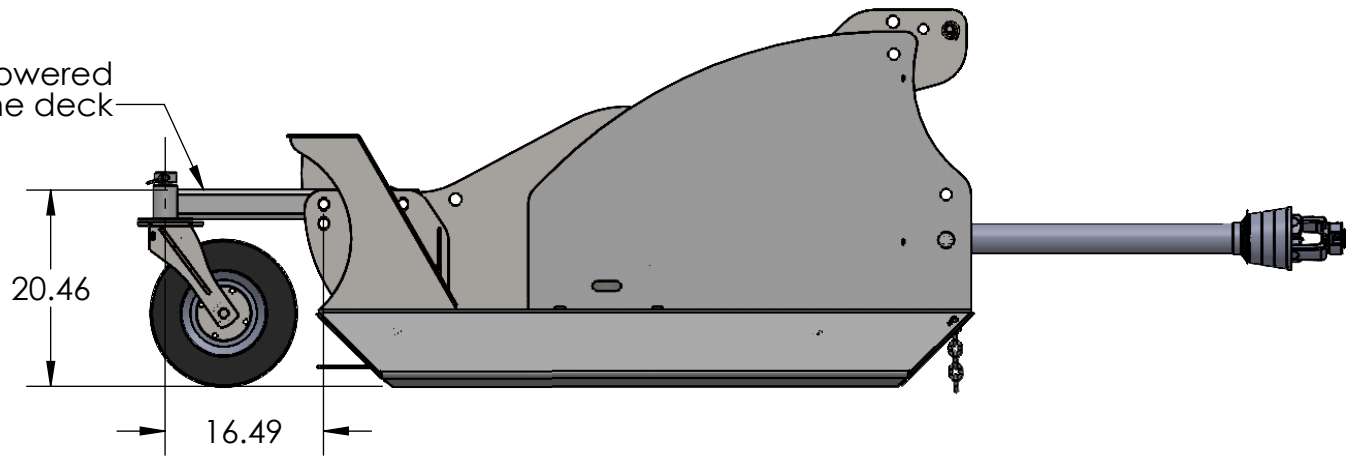
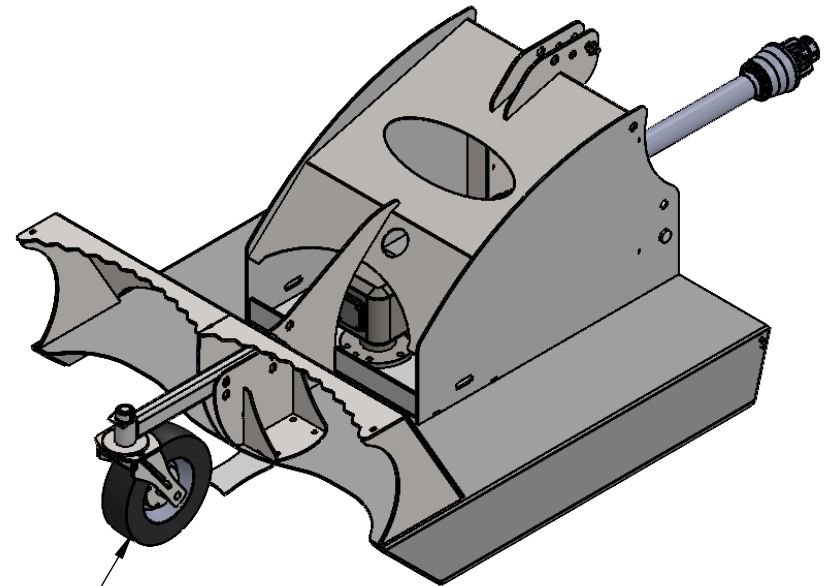
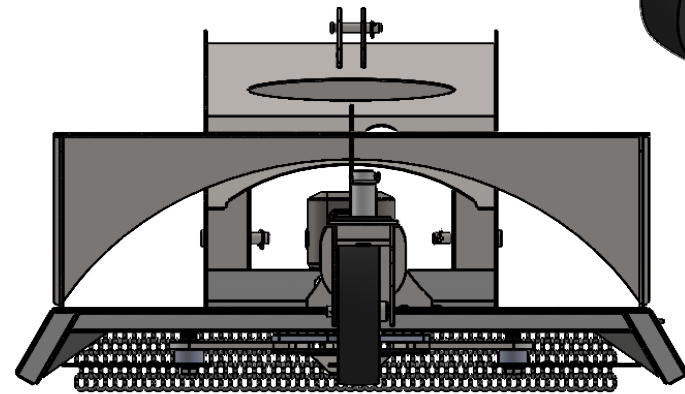
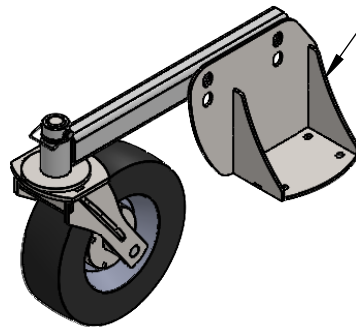


Wheel can be lowered  
2" below the deck



Bolt-on Bracket with  
height adjustment holes



Optional tail wheel

**PROPRIETARY AND CONFIDENTIAL**  
THE INFORMATION CONTAINED IN THIS  
DRAWING IS THE SOLE PROPERTY OF  
**BAUMALIGHT**. ANY REPRODUCTION IN  
PART OR AS A WHOLE WITHOUT THE  
WRITTEN PERMISSION OF **BAUMALIGHT**  
IS PROHIBITED.



Description

Tail wheel assembly for CP560 & CP572

Weight  
lbs

Thickness  
in.

K-Factor

DATE

13-01-2021

DWG. NO.

**D005723**

REV

**A**

DO NOT SCALE DRAWING

SCALE: 1:16

SHEET 1 OF 1