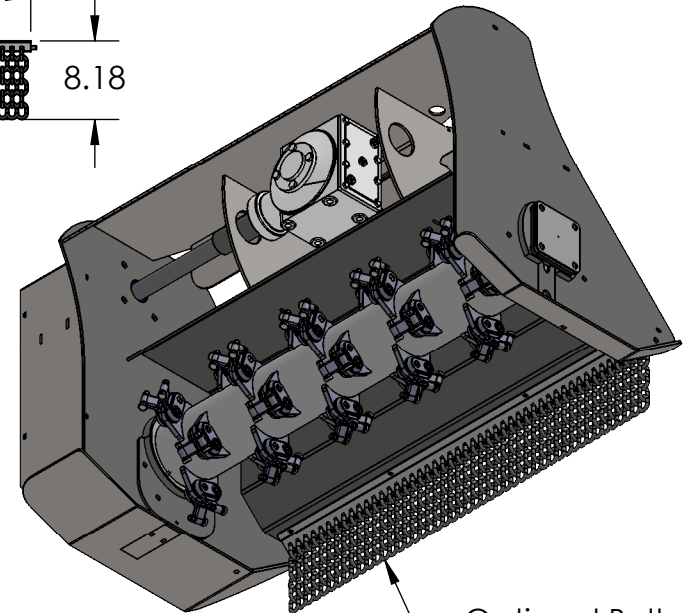


Easy to install using 8 No's of 3/8" x 1" long Bolt & nuts



Optional Bolt-on chain guard

PROPRIETARY AND CONFIDENTIAL
 THE INFORMATION CONTAINED IN THIS DRAWING IS THE SOLE PROPERTY OF BAUMALIGHT. ANY REPRODUCTION IN PART OR AS A WHOLE WITHOUT THE WRITTEN PERMISSION OF BAUMALIGHT IS PROHIBITED.



Description

Optional chain guard for MP348

Weight lbs	Thickness in.	K-Factor	DATE 09-02-2022	DWG. NO.	REV A
DO NOT SCALE DRAWING	SCALE: 1:20	SHEET 1 OF 1	D006111		