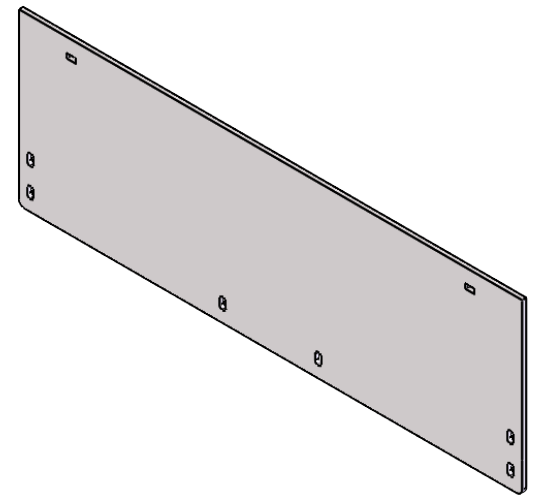


Leave 1" to hook into skidsteer plate

Flat blank bolt-on plate (Blank plate bolts into existing skid steer plate)



PROPRIETARY AND CONFIDENTIAL
 THE INFORMATION CONTAINED IN THIS DRAWING IS THE SOLE PROPERTY OF BAUMALIGHT. ANY REPRODUCTION IN PART OR AS A WHOLE WITHOUT THE WRITTEN PERMISSION OF BAUMALIGHT IS PROHIBITED.



Description

Blank plate

Weight
lbs.

DATE
24-08-2005

DWG. NO.

REV

DO NOT SCALE DRAWING

SCALE: 1:20

SHEET 4 OF 6

D001541

A